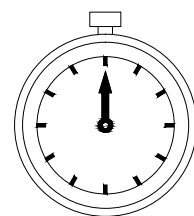
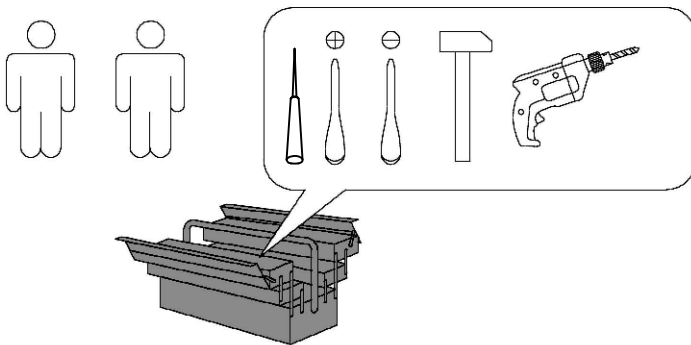


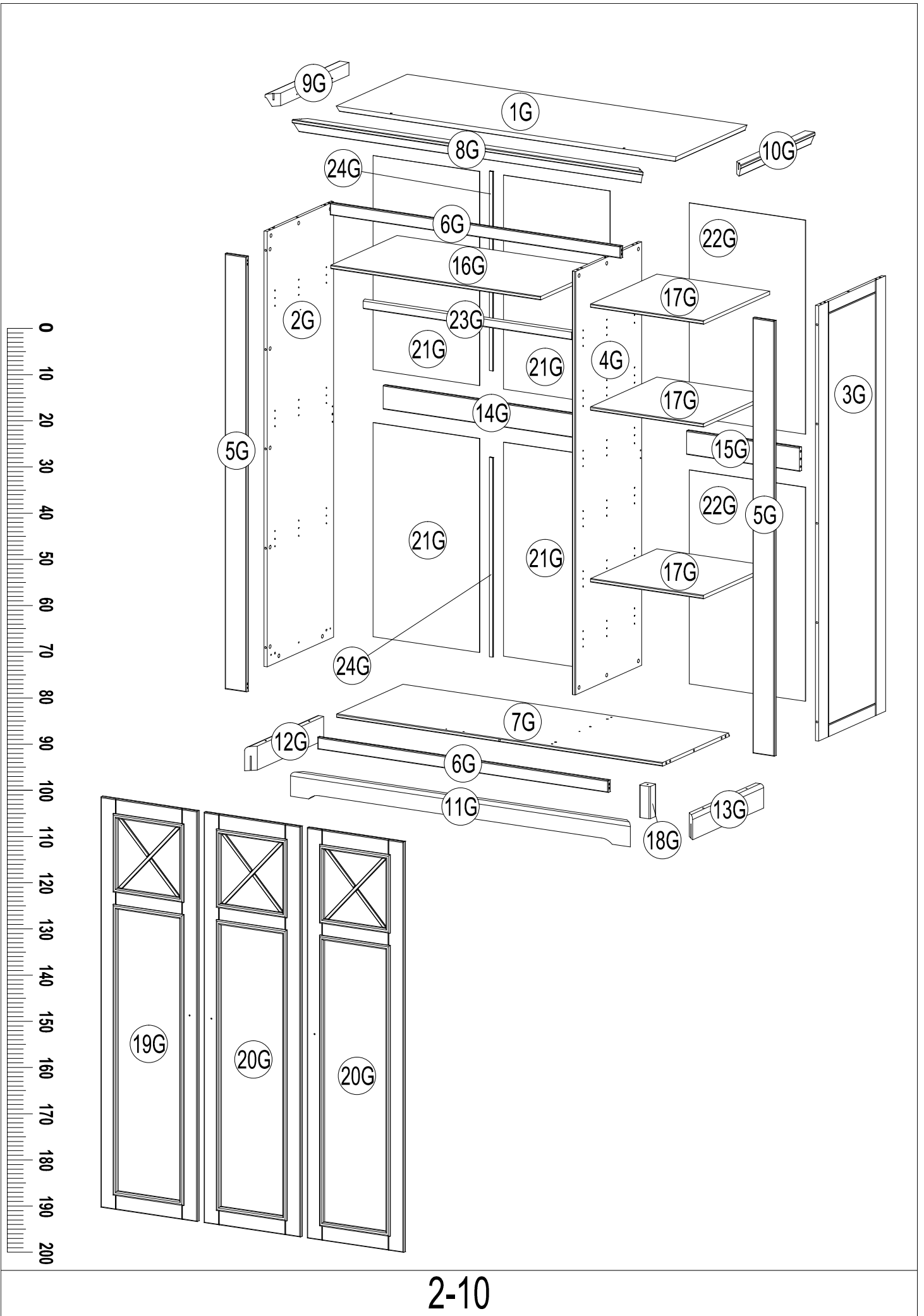


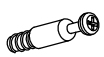

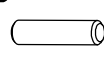


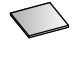



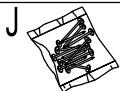
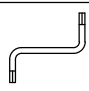
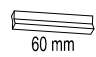






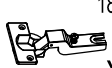


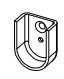

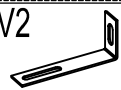


MARONE- 2SMAR20



180 min

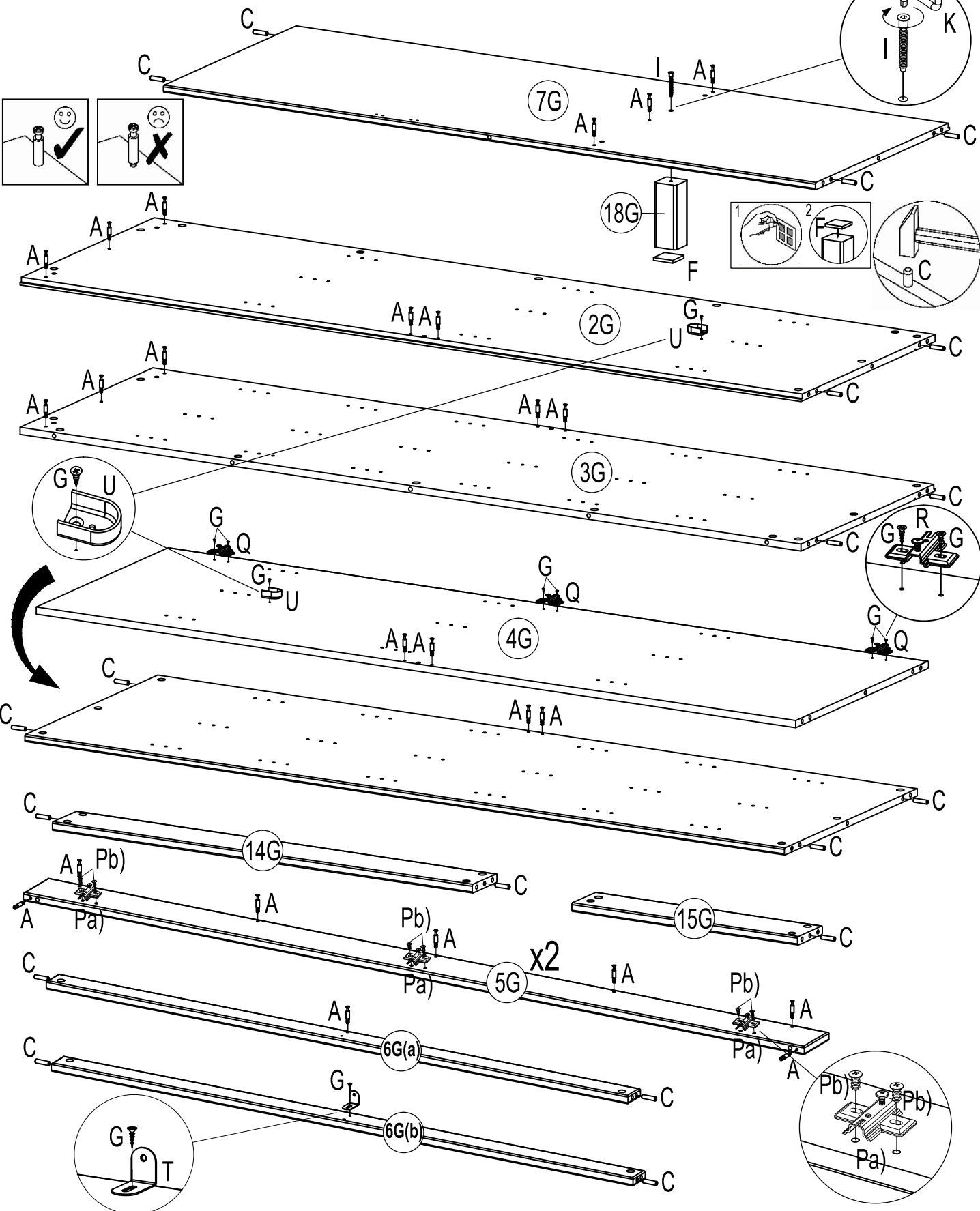
1-10



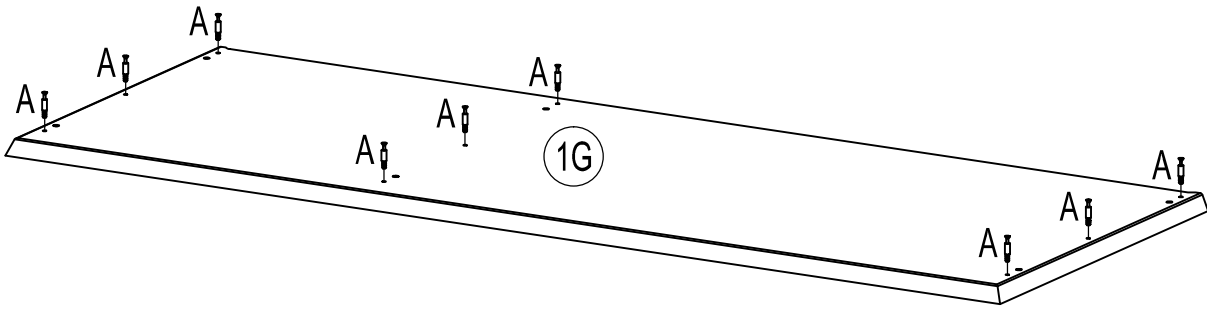
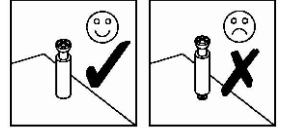
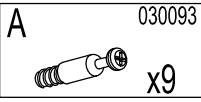
A  030093 x45	B  030110 x45	C  230010 8x32 x21	D  190009 x24	E  210055 210057 x3	F  070017 30x30 x5
G  250012 3.5x15 x44	H  250024 3.5x35 x3	I  030034 7x50 x1	J  220043 1.2x20 x5	K  110022 SW 4 x1	L  220017 60 mm x2
M  220015 25 mm x2	N  140005 x2	O  180056 x6	P a)  b)  180034 x6	Q  180031 x3	R  180061 x3
S  250004 3x13 x4	T  180074 x9	U  240067 x2	V1  090001 8x50 x2	V2  180080 x2	V3  250012 3.5x15 x2
					V4  250069 5x50 x2

No	Size/MaB (mm)	Qty	✓	No	Size/MaB (mm)	Qty	✓
1G	1588x575x24	1		13G	575x100x38	1	
2G	1823x542x15	1		14G	980x100x18	1	
3G	1823x542x15	1		15G	527x100x18	1	
4G	1773x537x15	1		16G	980x537x15	1	
5G	1823x100x18	2		17G	527x537x15	3	
6G	1358x50x18	2		18G	135x50x50	1	
7G	1522x542x15	1		19G	1719x450x27	1	
8G	1638x53x46	1		20G	1719x450x27	2	
9G	600x53x46	1		21G	896x497x3	4	
10G	600x53x46	1		22G	896x543x3	2	
11G	1588x100x38	1		23G	974x40x24	1	
12G	575x100x38	1		24G	836x17x7	2	

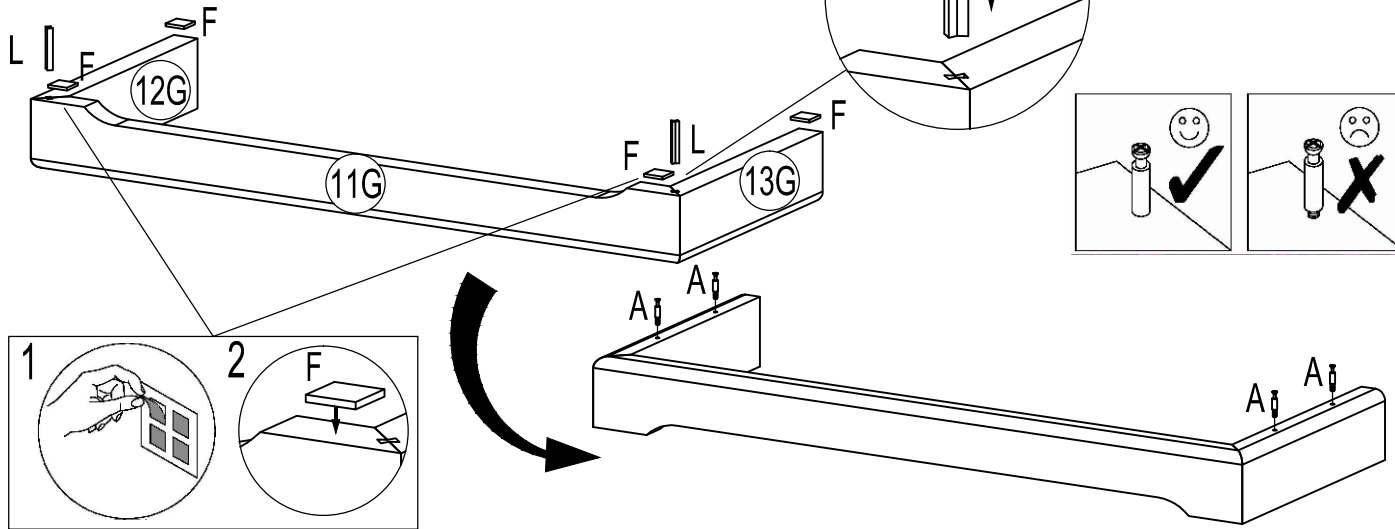
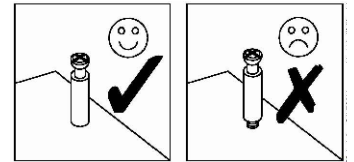
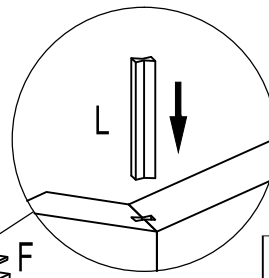
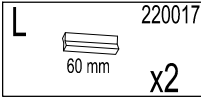
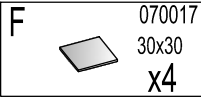
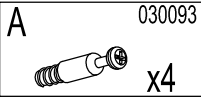
1	A	030093	C	230010	F	070017	G	250012	I	030034	K	110022
		x32	8x32	x19	30x30	x1	3.5x15	x9	7x50	x1	SW 4	x1
	P	180034	Q	180031	T	180074	U	240067				
	a)	x6		x3		x1		x2				
	b)x2											



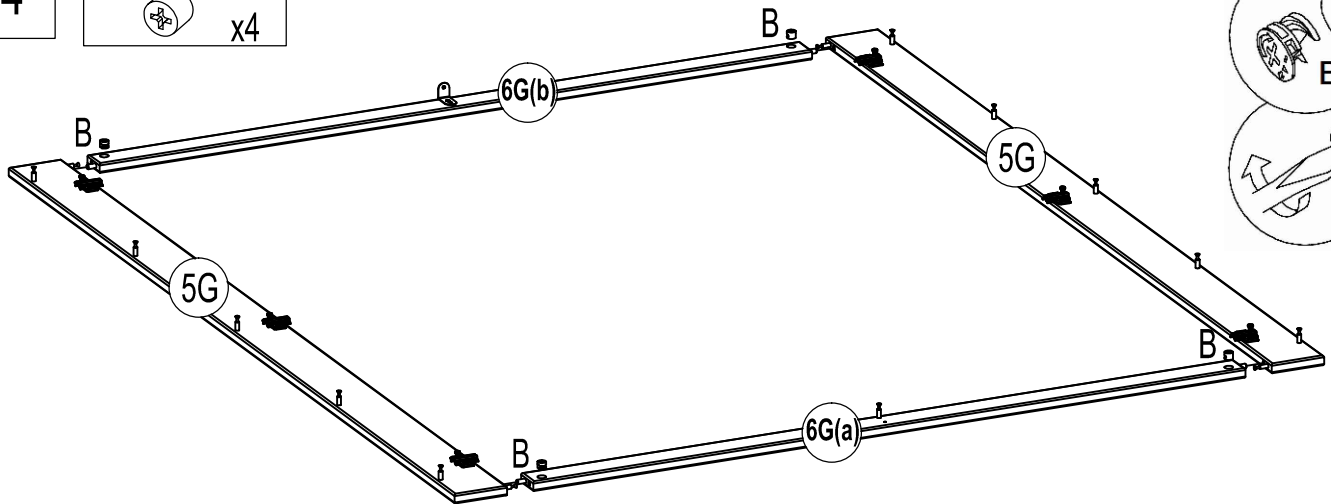
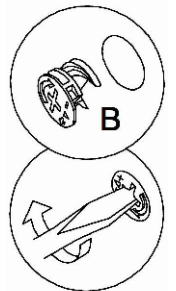
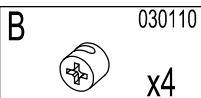
2



3



4

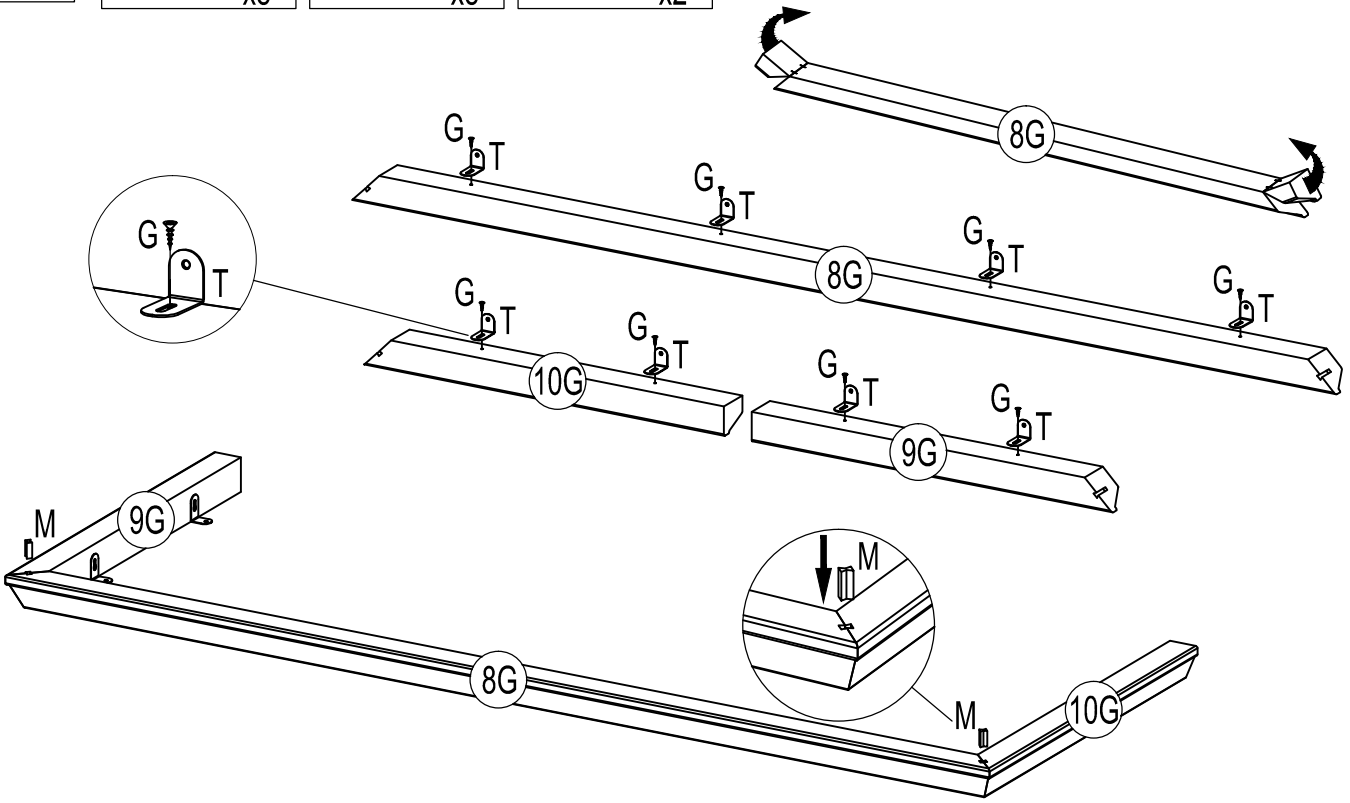


5

G 250012
3.5x15
x8

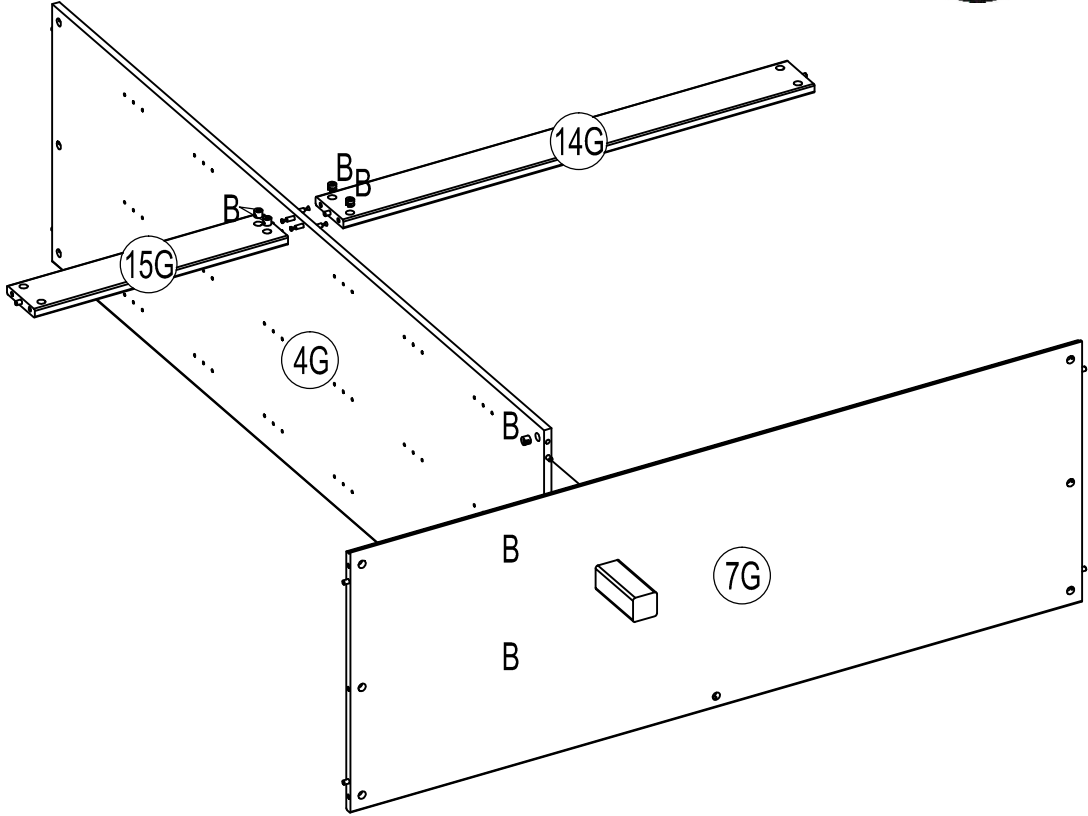
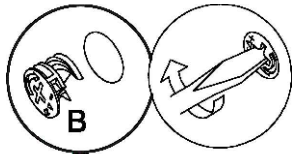
T 180074
x8

M 220015
25 mm
x2



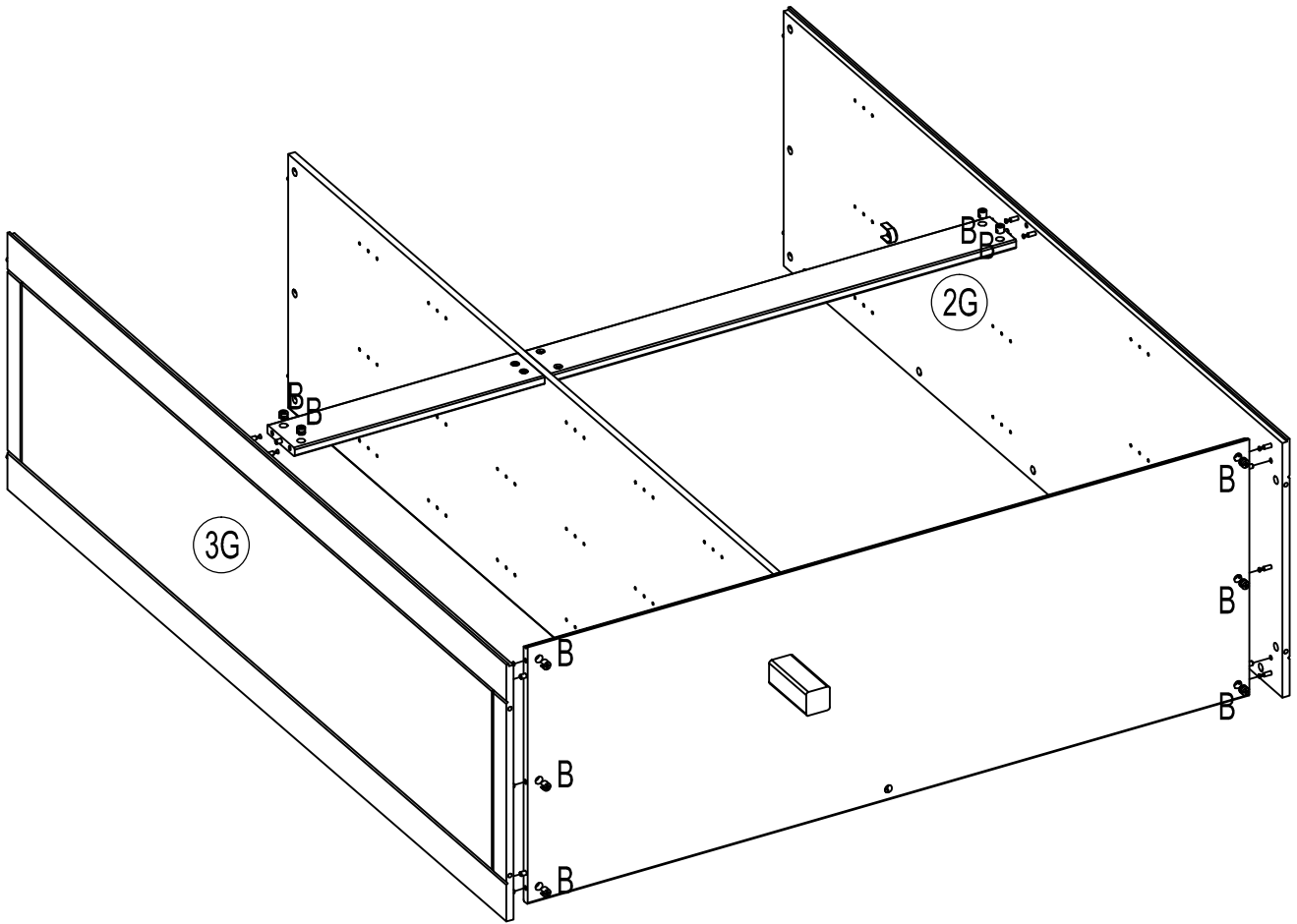
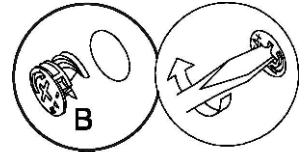
6

B 030110
x7



7

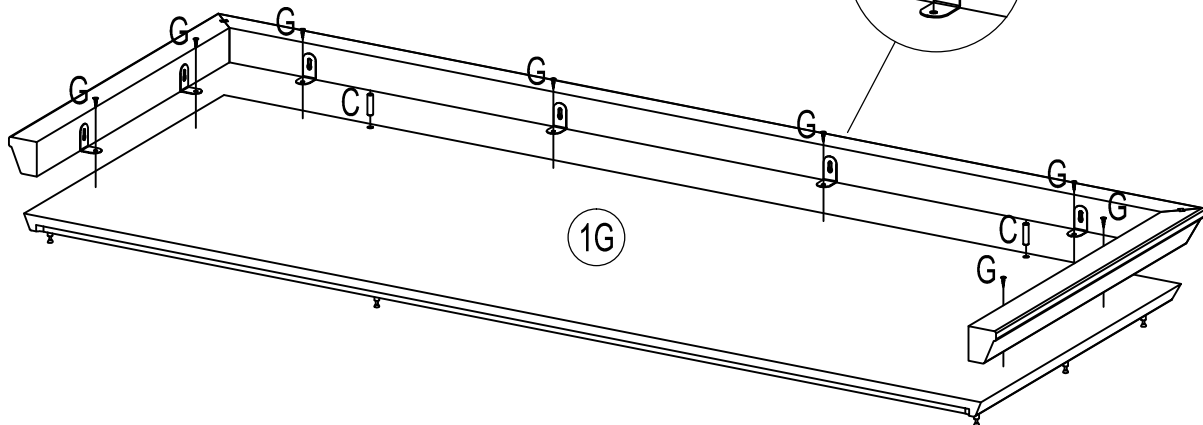
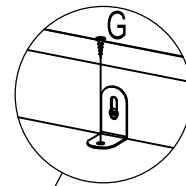
B 030110
x10



8

C 230010
8x32
x2

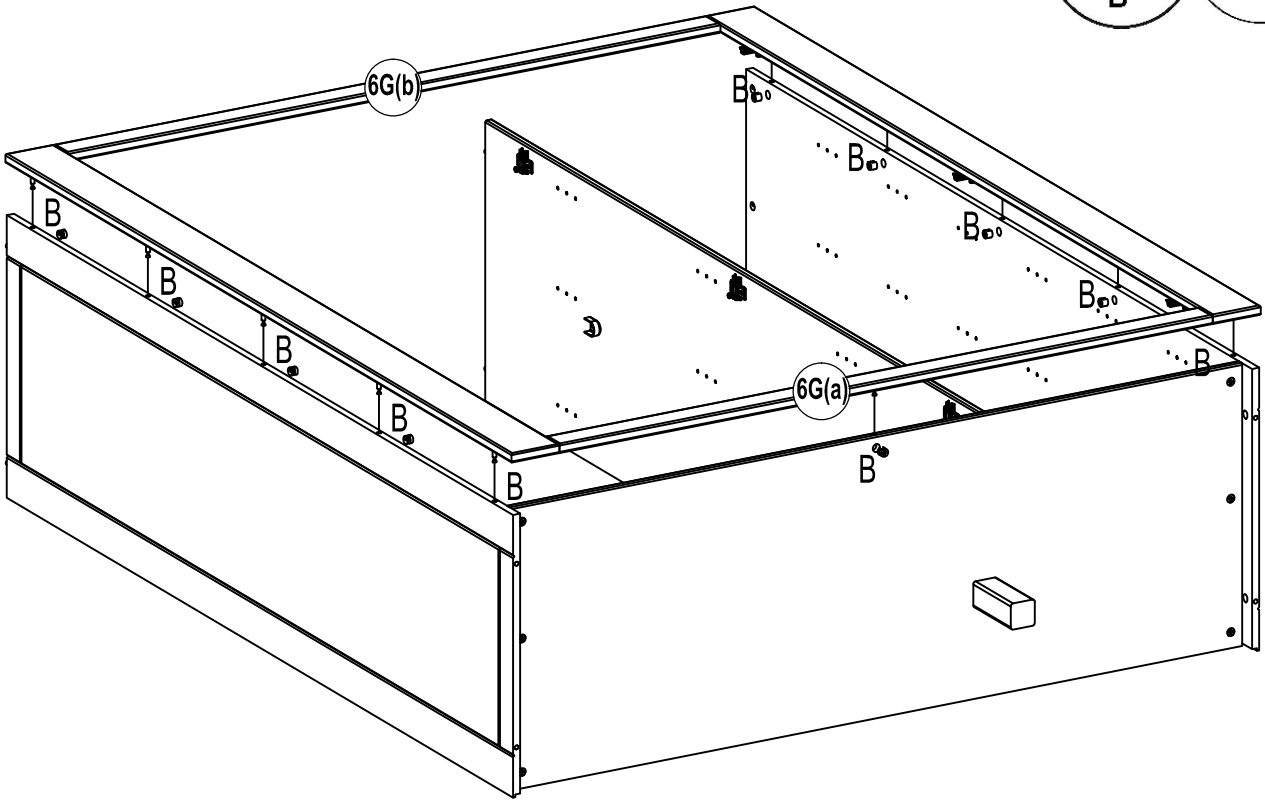
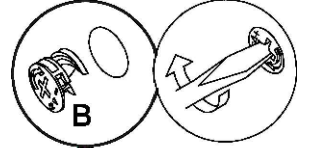
G 250012
3.5x15
x8



7-10

9

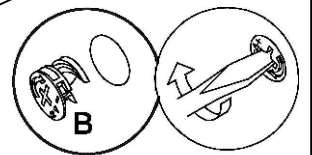
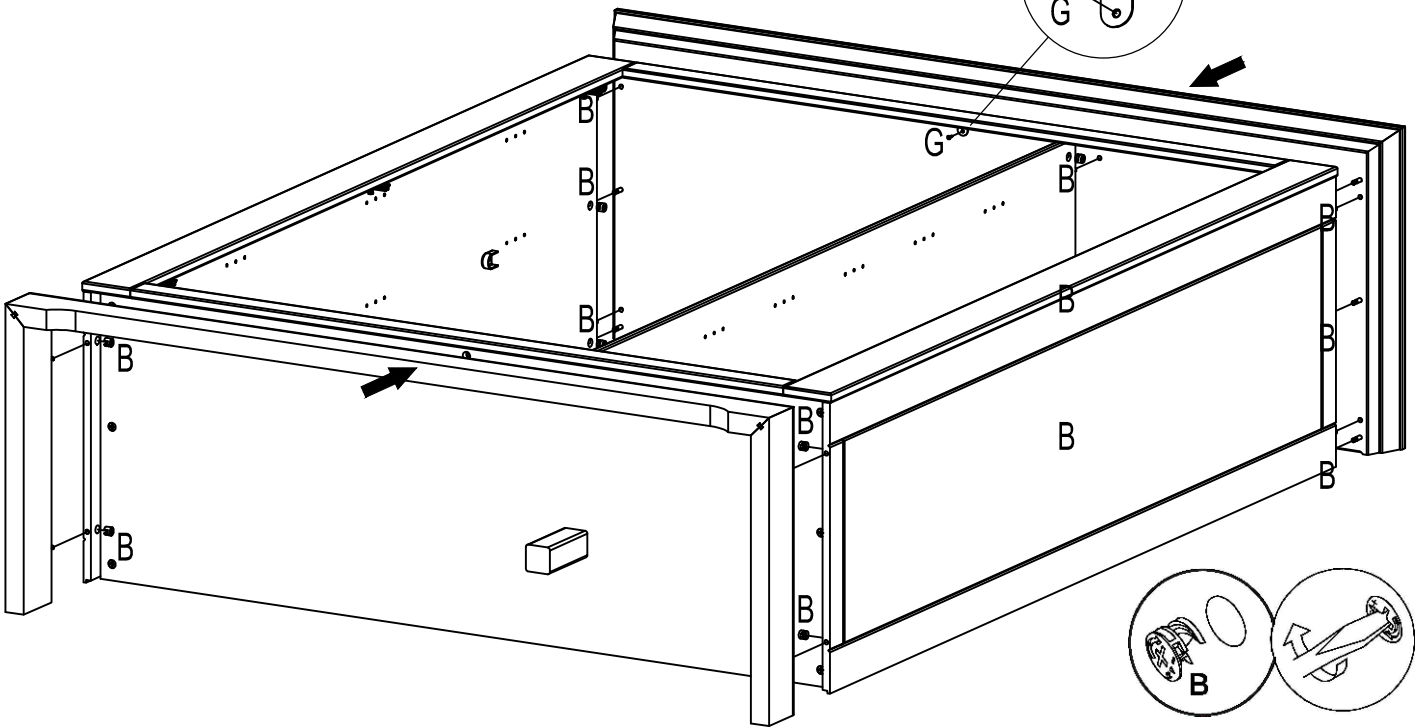
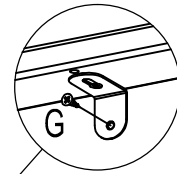
B 030110
x11



10

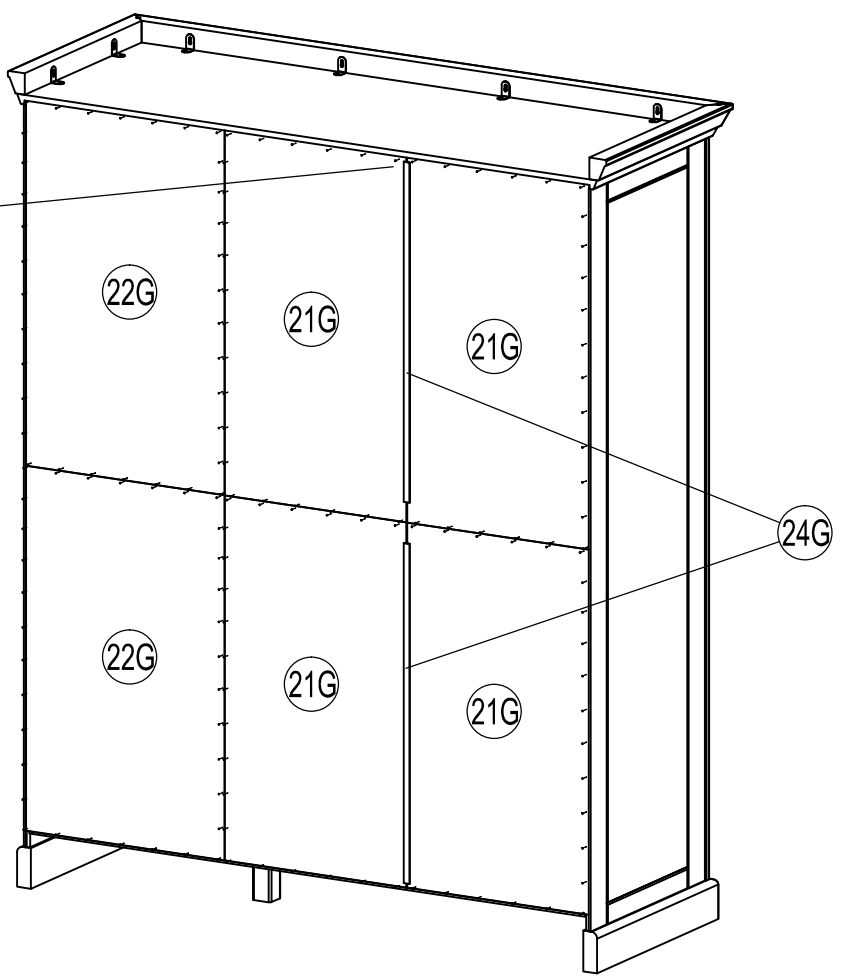
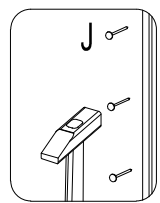
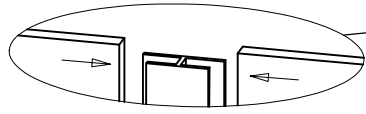
B 030110
x13

G 250012
3.5x15
x1

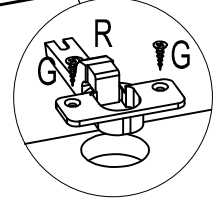
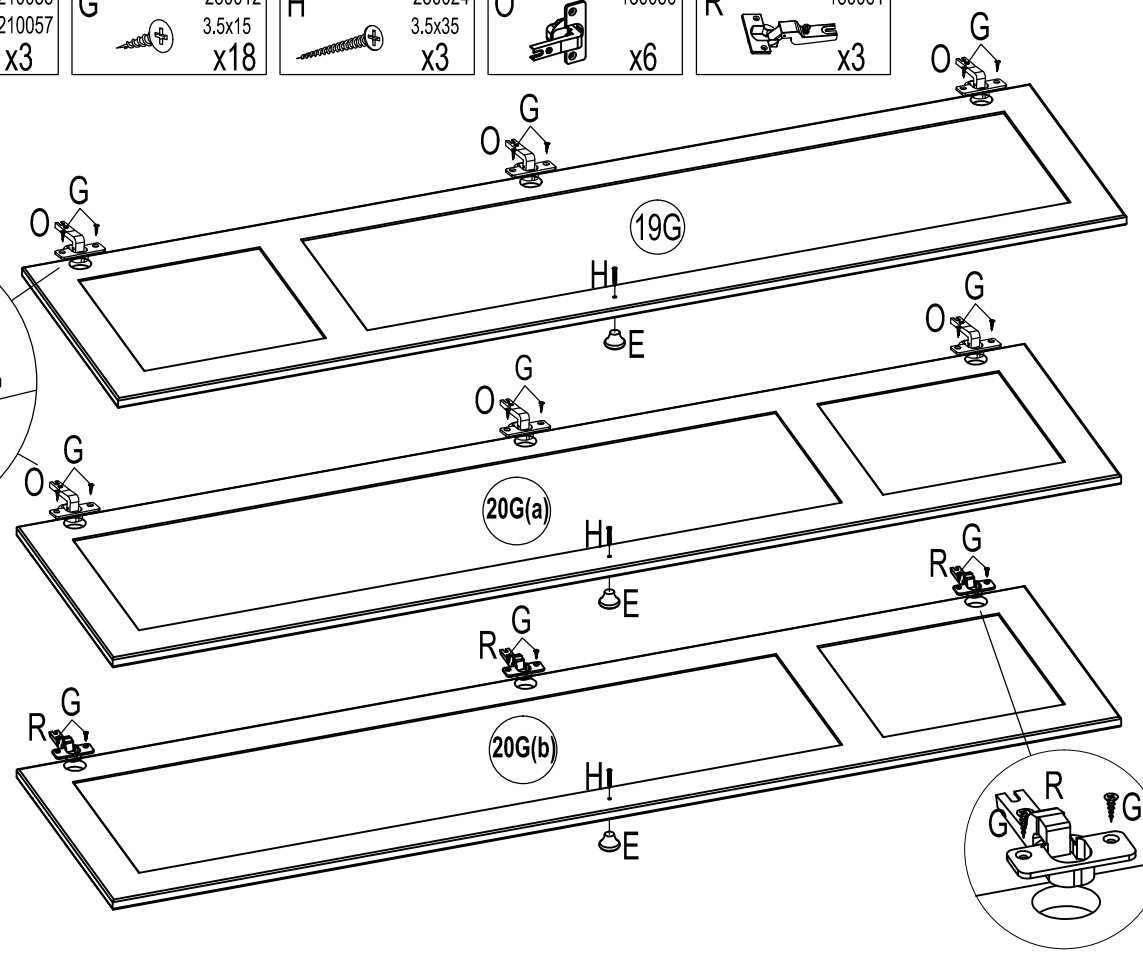
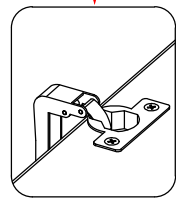
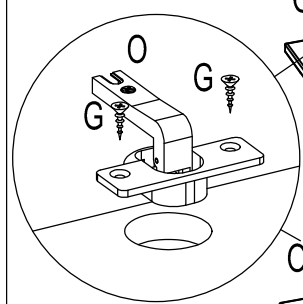


8-10

11 J 220043
1.2x20
x5



12 E 210055 210057 x3 G 250012 3.5x15 x18 H 250024 3.5x35 x3 O 180056 x6 R 180061 x3



- | | | | | | | | | | | | | |
|----|---|--------|---|--------|---|------------|----|------------|----|--------|----|--------------|
| 13 | D | 190009 | N | 140005 | S | 250004 | V1 | 090001 | V2 | 180080 | V3 | 250012 |
| | | x24 | | x2 | | 3x13
x4 | | 8x50
x2 | | x2 | | 3.5x15
x2 |
| | | | | | | | | | | | V4 | 250069 |
| | | | | | | | | | | | | 5x50
x2 |

