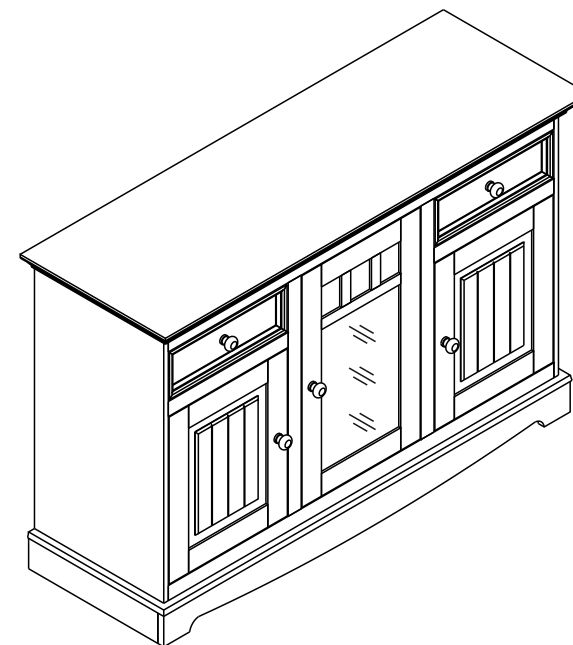


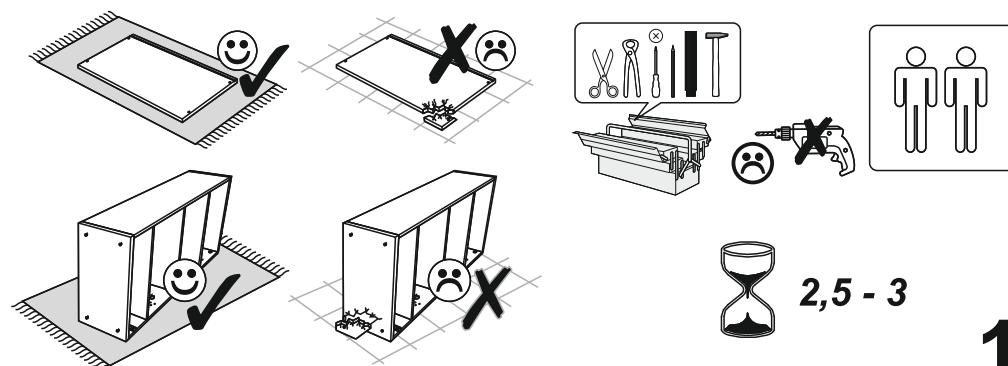
# BELLUNO KOMODA 3 PL001

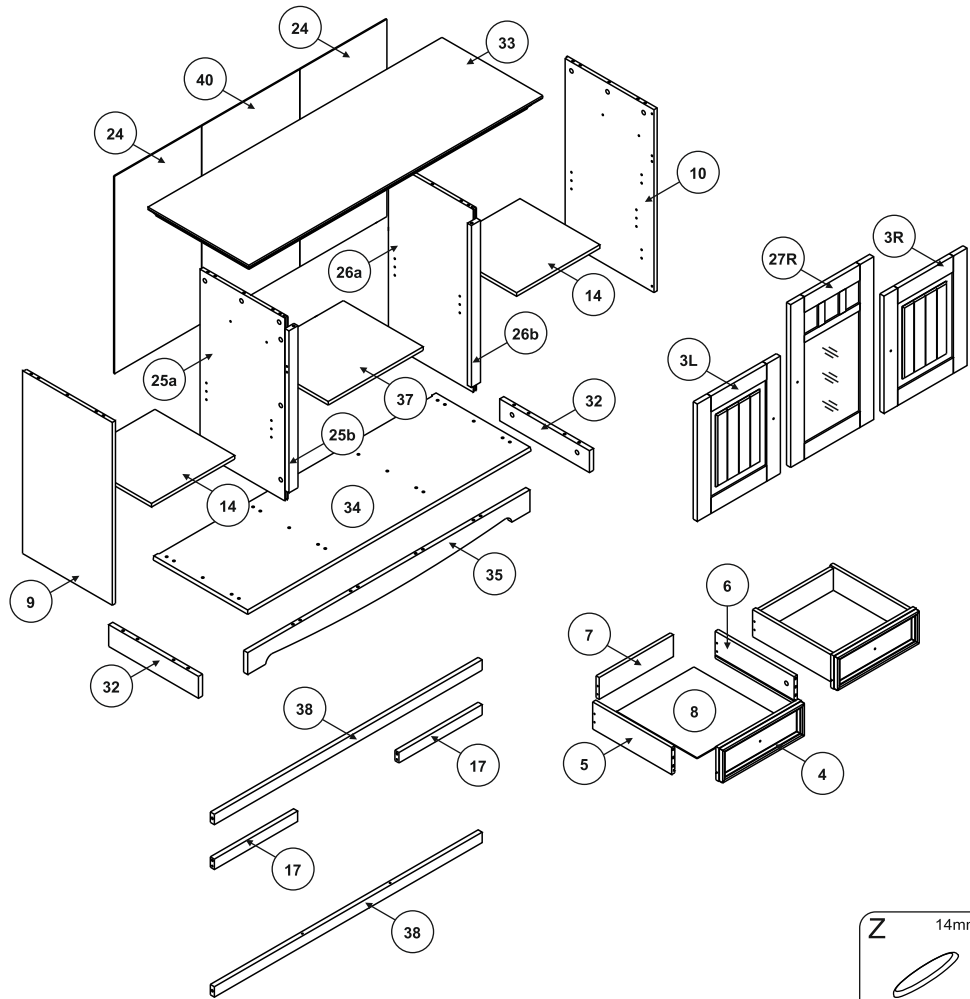


- |                                  |                              |
|----------------------------------|------------------------------|
| (D) Montageanleitung             | (GB) Assembly instructions   |
| (FR) Notice de montage           | (IT) Istruzioni di montaggio |
| (NL) Handleiding voor de montage | (PL) Instrukcja montażu      |
| (CZ) Montážní návod              | (SK) Návod na montáž         |
| (HU) Szerelési útmutató          | (RO) Instrucțiuni de montaj  |
| (TR) Montaj talimatı             | (RU) ИНСТРУКЦИЯ ПО МОНТАЖУ   |



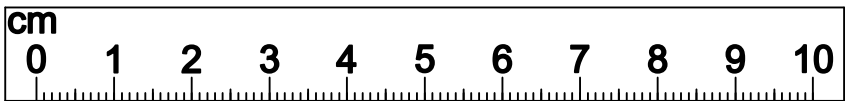
9.06.2016.





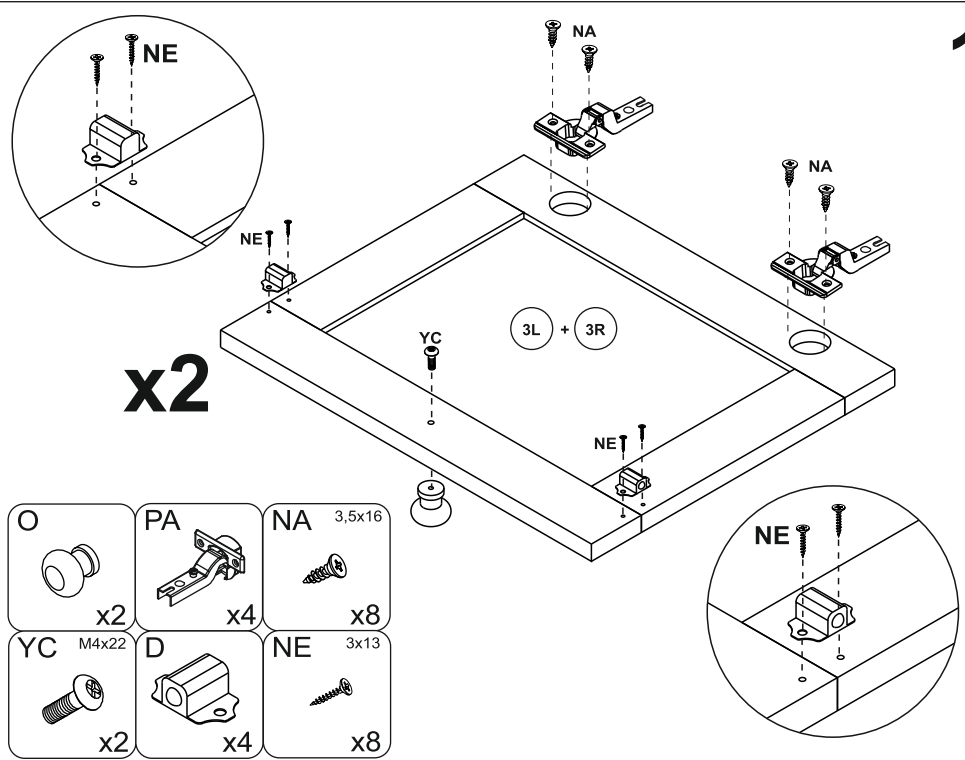
<b>A</b> 8x35 x24	<b>AB</b> 5x30 x12	<b>B</b> 34mm x36	<b>C</b> 15x10 x36	<b>D</b> x6	<b>E</b> x6	<b>G</b> L=350 x2	<b>H</b> 6x10,5 x8
<b>M</b> 38x27x21 x2	<b>MA</b> x10	<b>N</b> 3x10 x4	<b>NA</b> 3,5x16 x16	<b>NB</b> 3,5x35 x8	<b>YB</b> 1x20 x100	<b>YC</b> M4x22 x5	<b>NE</b> 3x13 x24
<b>O</b> x5	<b>P</b> x2	<b>R</b> x2	<b>PA</b> x4	<b>RA</b> x4	<b>W</b> 4mm x1	<b>Y</b> 5mm x12	<b>YA</b> 7x50 x12

<b>Z</b> 14mm x5
------------------------



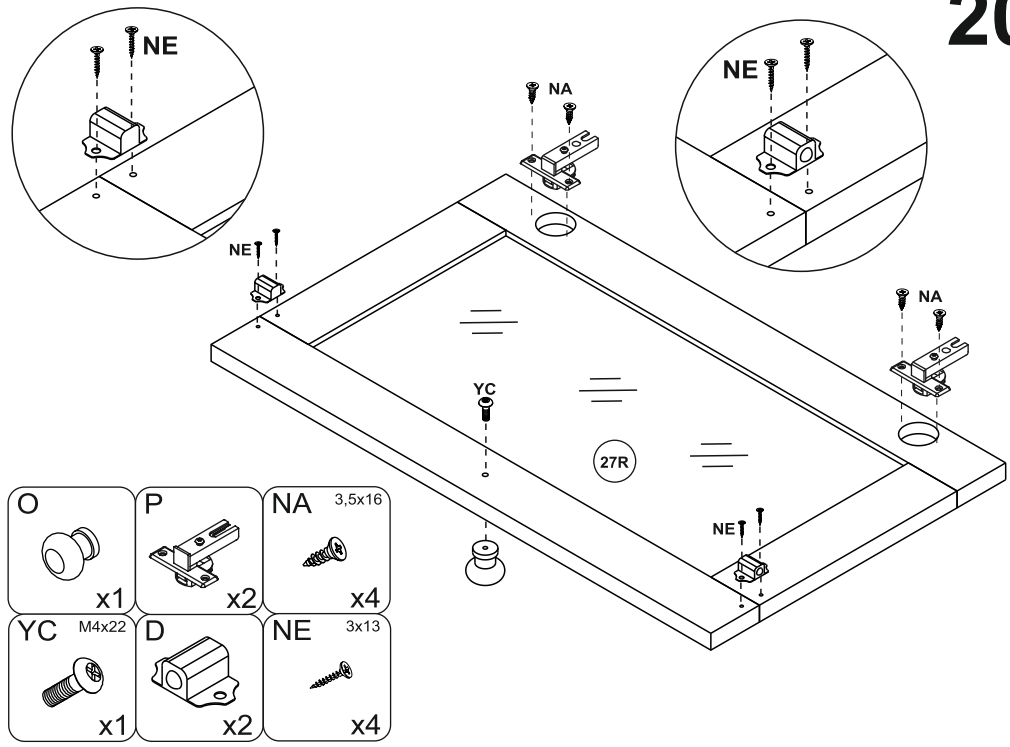
**2**

**19**

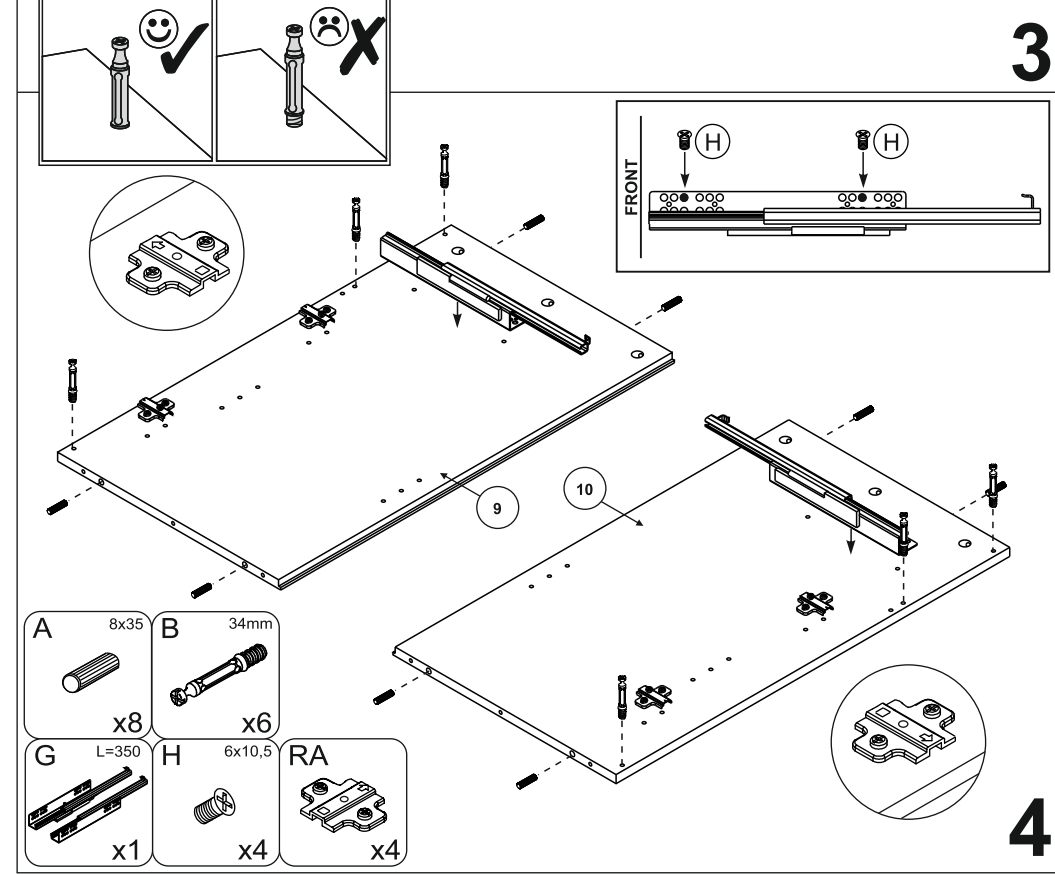
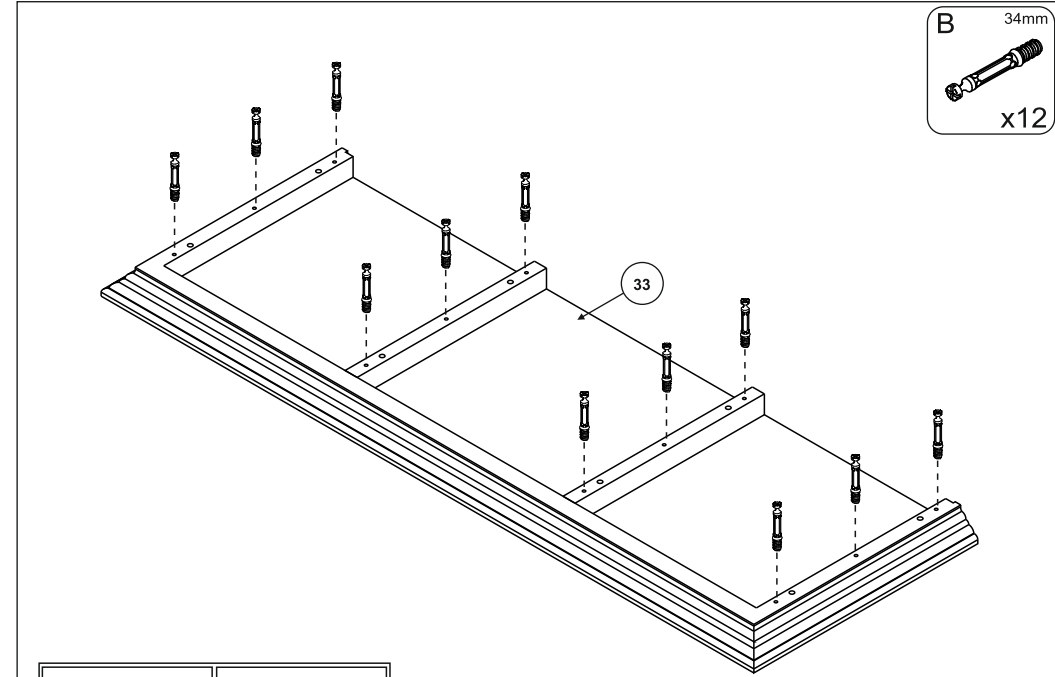
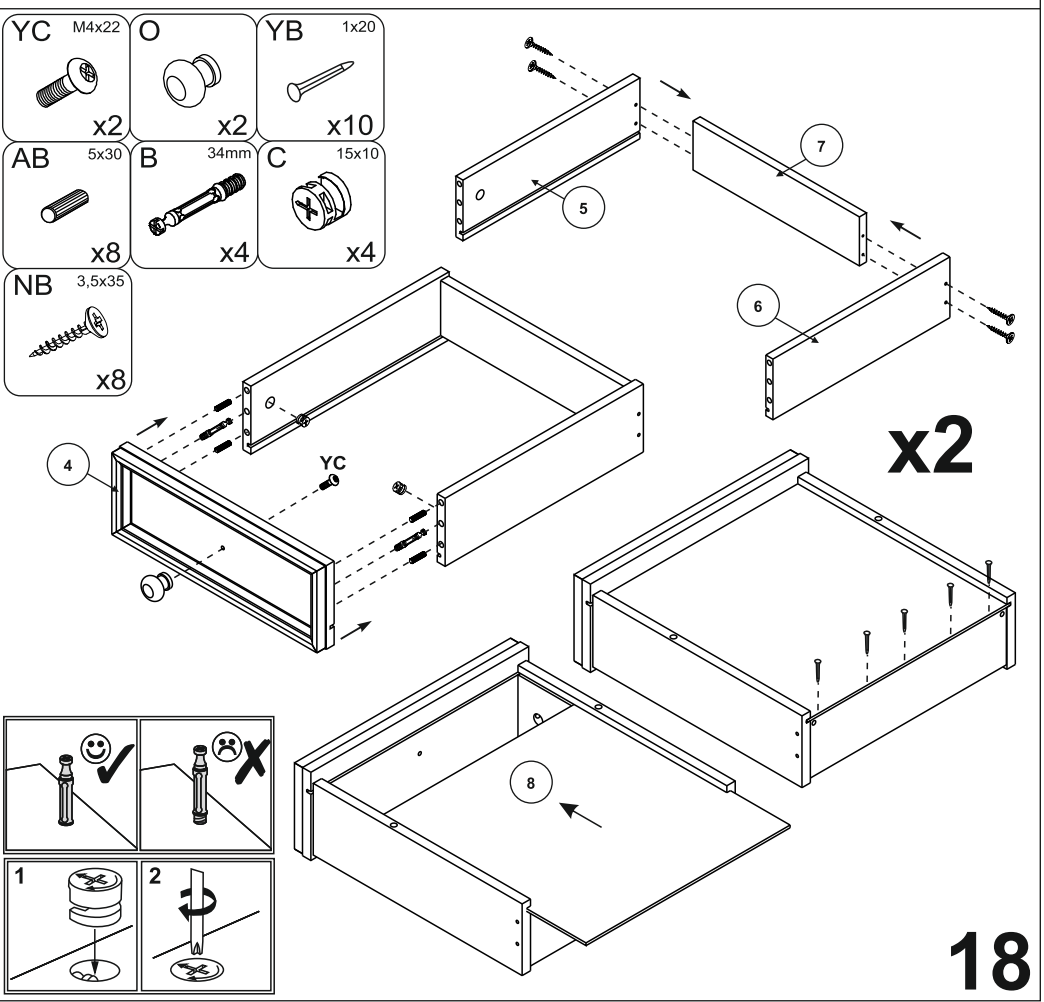
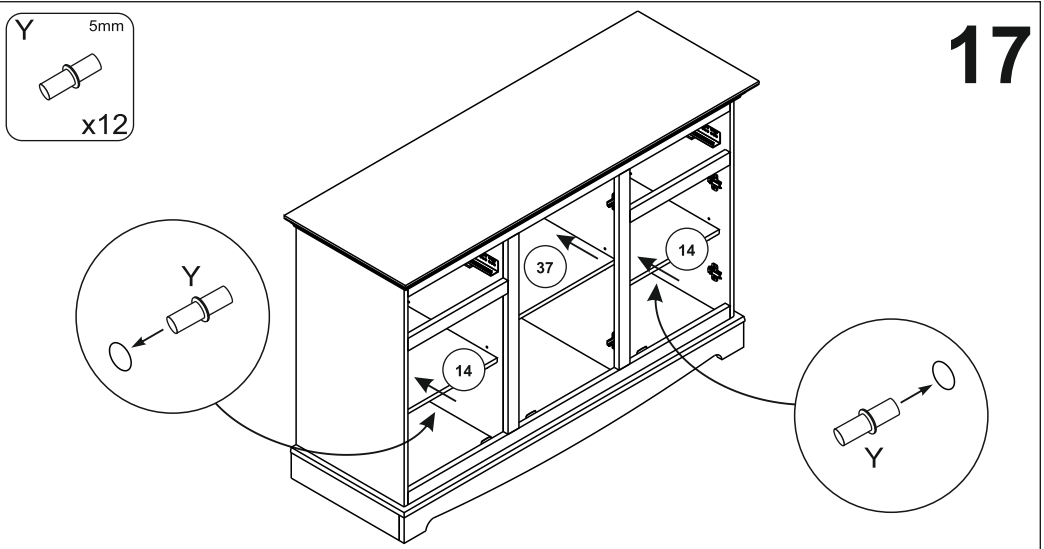


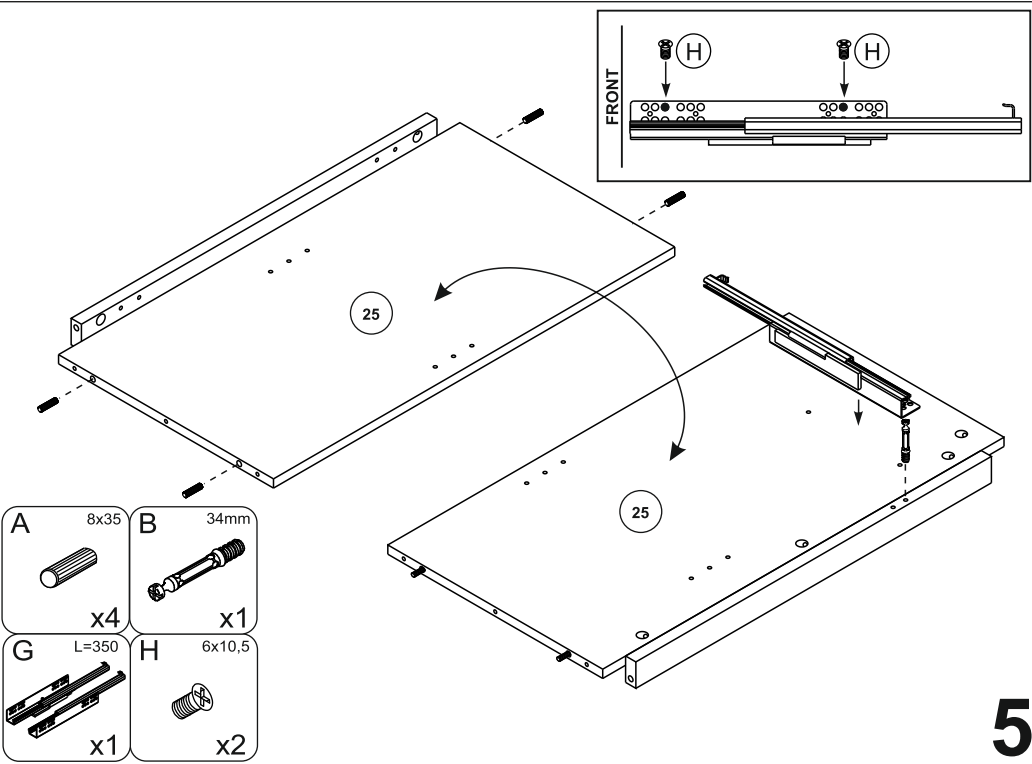
<b>O</b> x2	<b>PA</b> x4	<b>NA</b> 3,5x16 x8
<b>YC</b> M4x22 x2	<b>D</b> x4	<b>NE</b> 3x13 x8

**20**

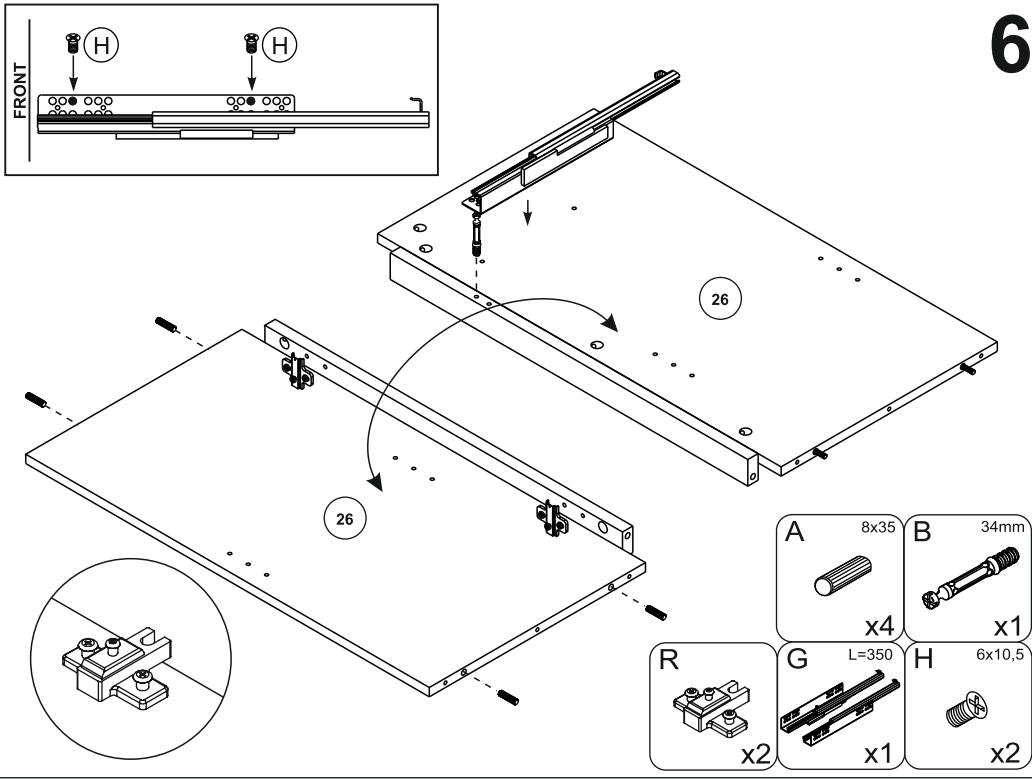


<b>O</b> x1	<b>P</b> x2	<b>NA</b> 3,5x16 x4
<b>YC</b> M4x22 x1	<b>D</b> x2	<b>NE</b> 3x13 x4

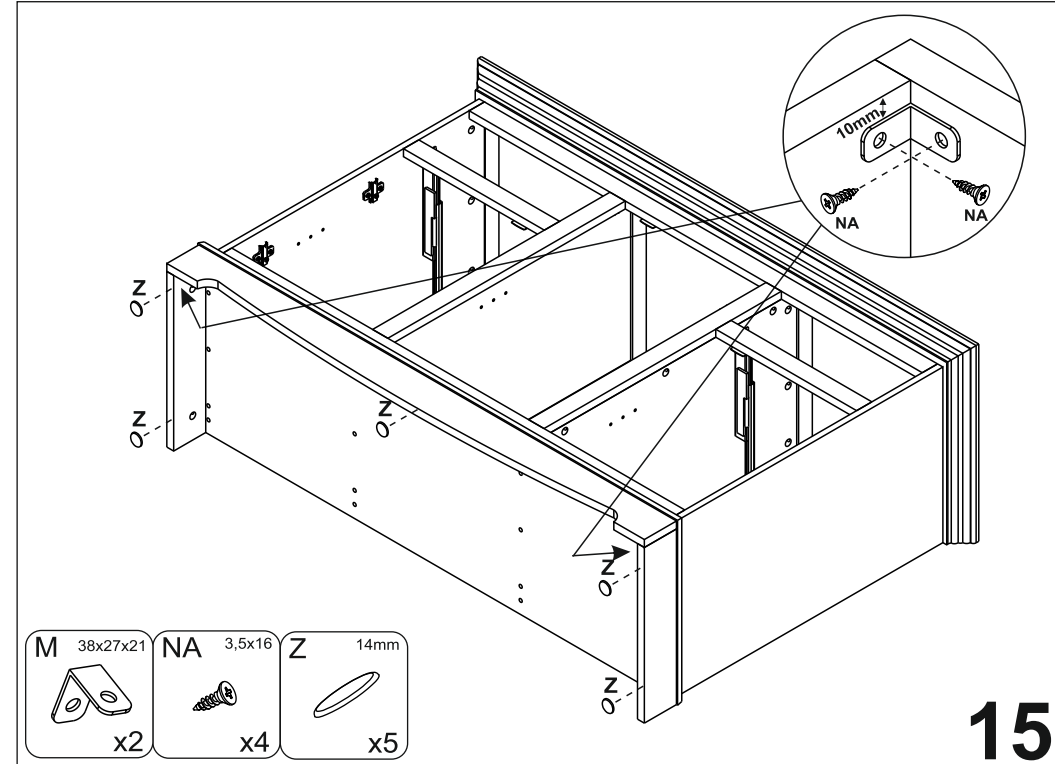




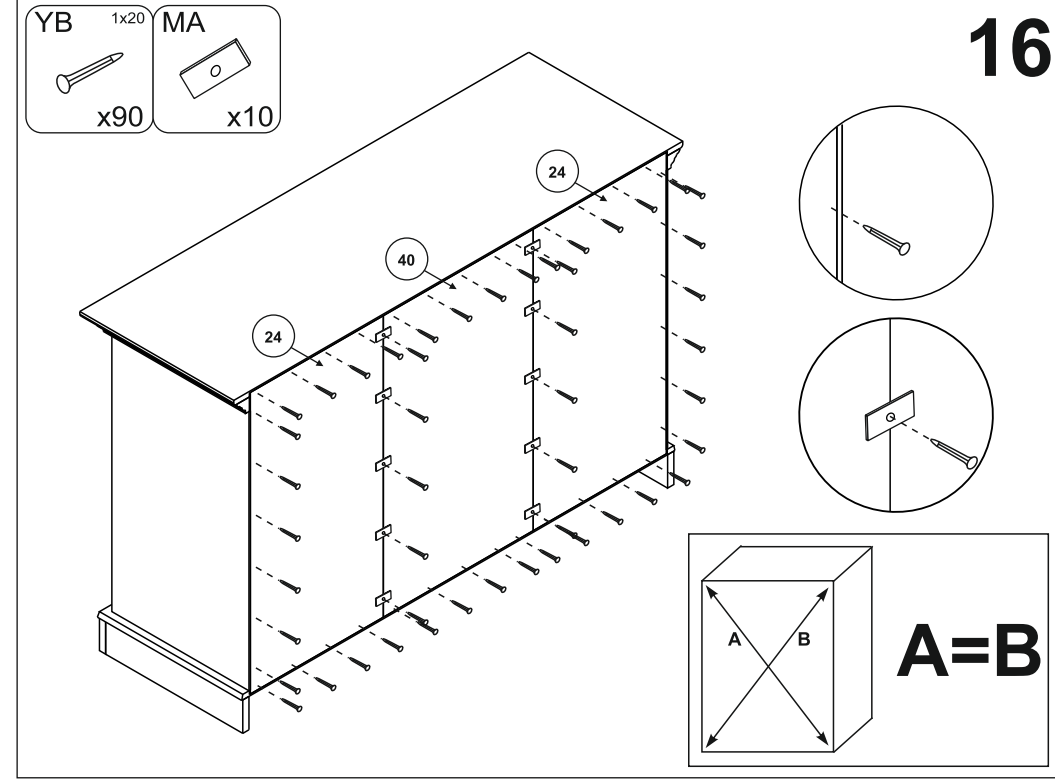
- A** 8x35 x4
- B** 34mm x1
- G** L=350 x1
- H** 6x10,5 x2



- A** 8x35 x4
- B** 34mm x1
- R** x2
- G** L=350 x1
- H** 6x10,5 x2



- M** 38x27x21 x2
- NA** 3,5x16 x4
- Z** 14mm x5



- YB** 1x20 x90
- MA** x10

