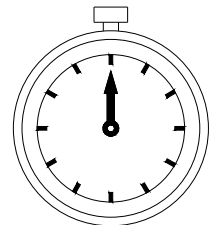
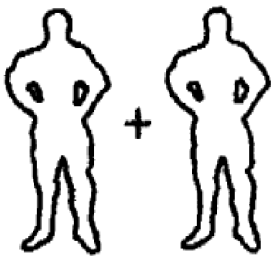
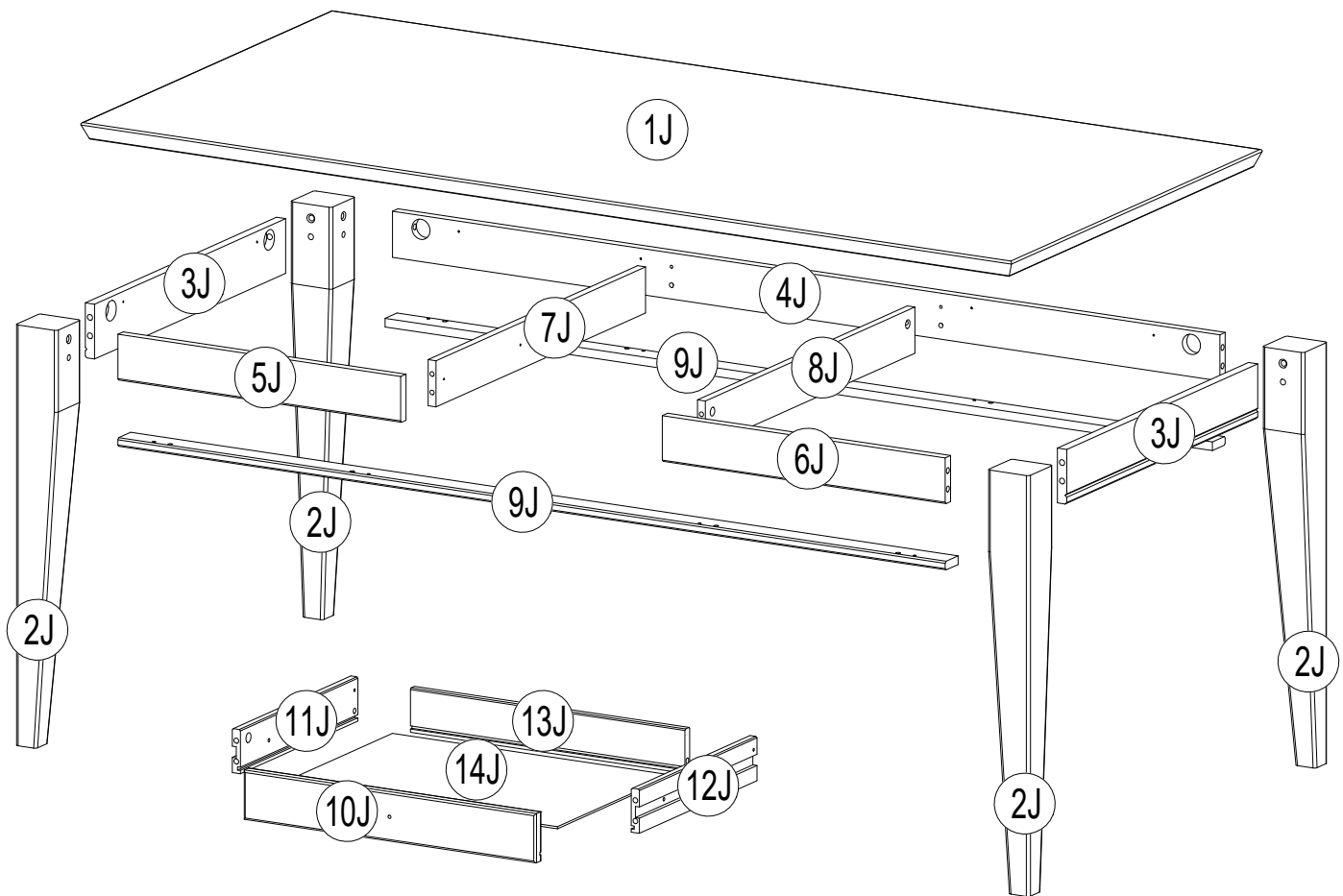
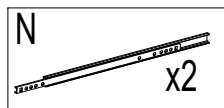
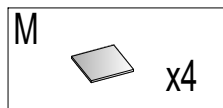
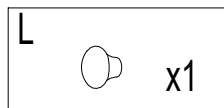
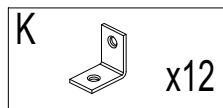
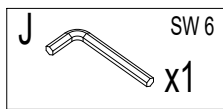
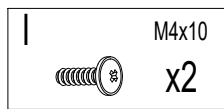
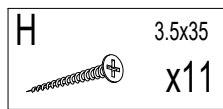
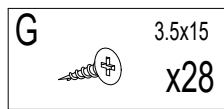
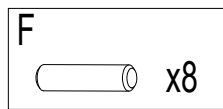
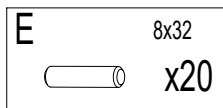
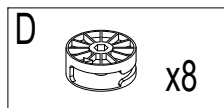
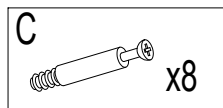
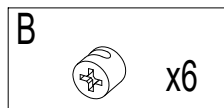
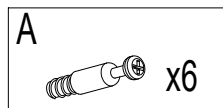
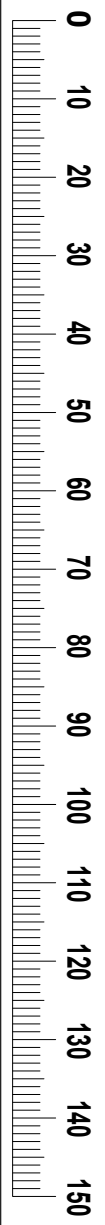


## MARONE - 2SMAR14

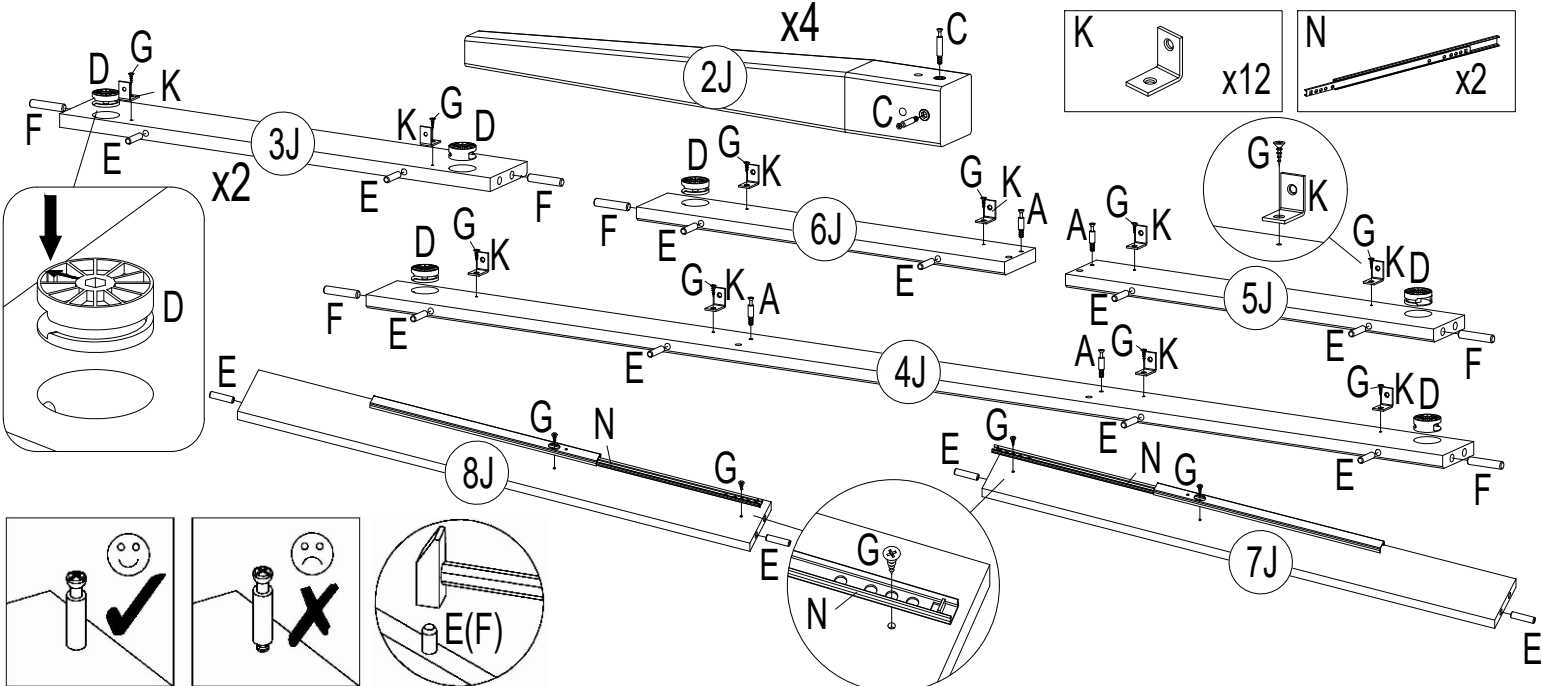
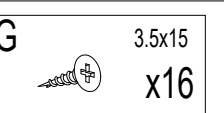
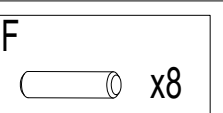
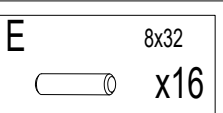
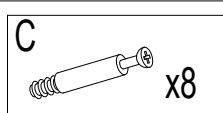
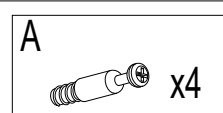


**90 min**

1-4



**1**

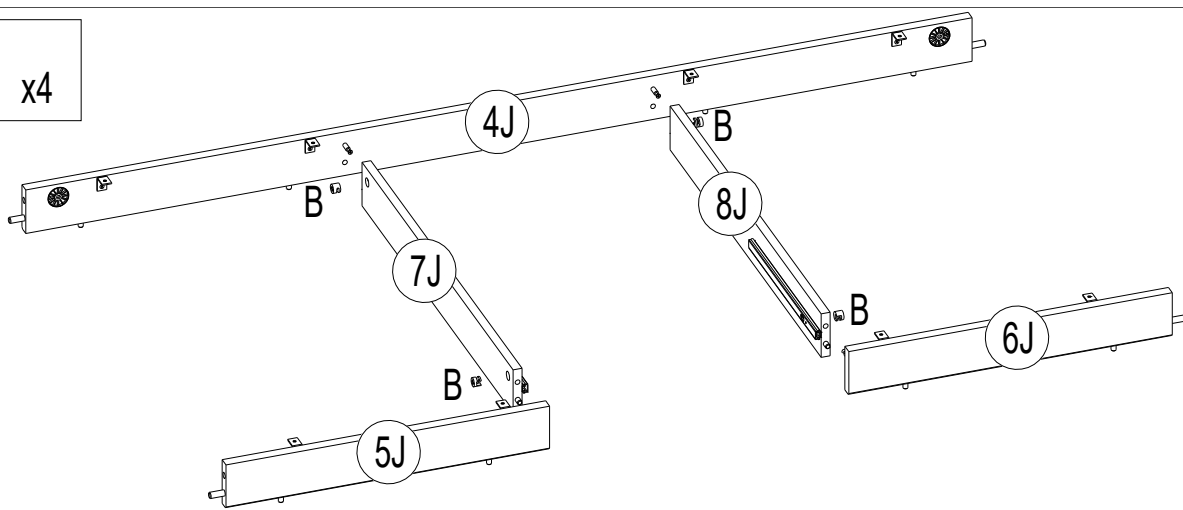
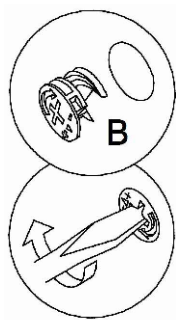


**2-4**

2

B

x4

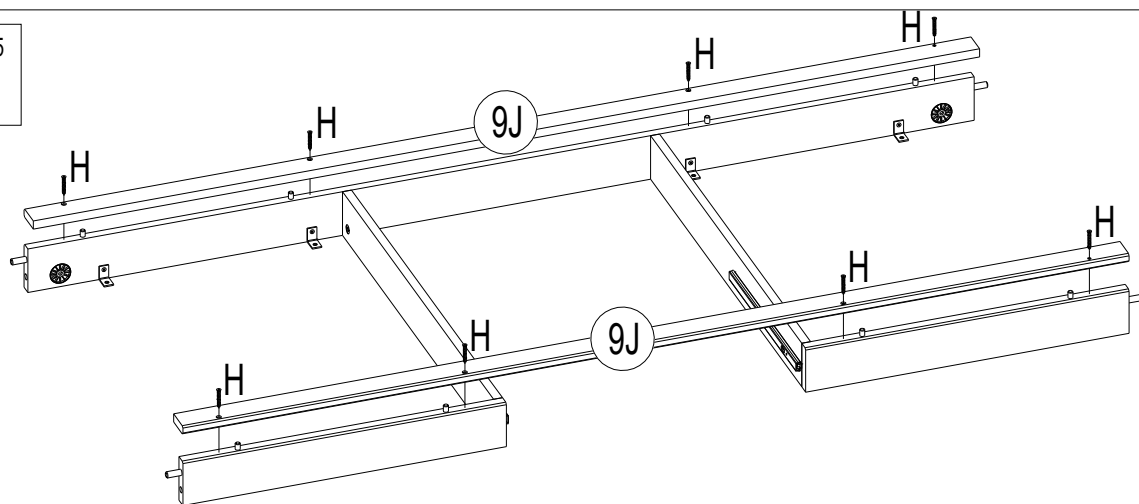


3

H

3.5x35

x8



4

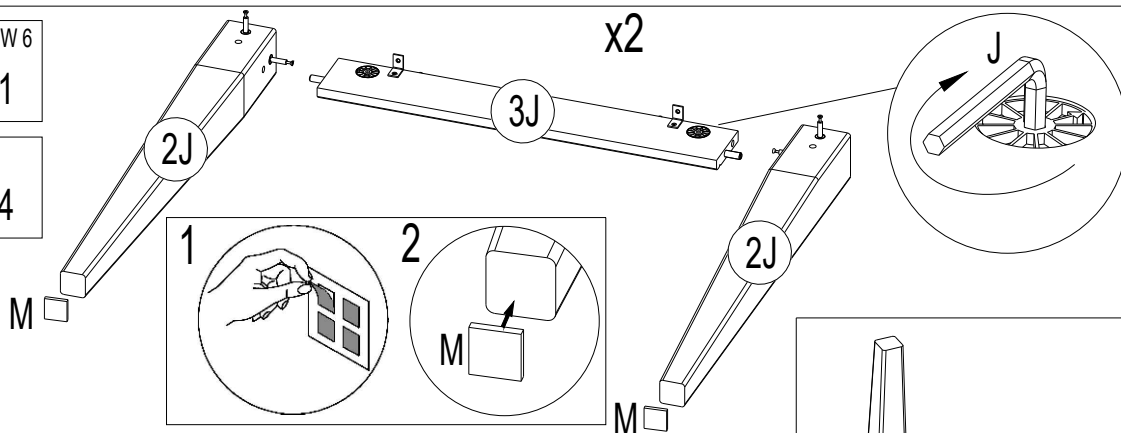
J

SW 6

x1

M

x4

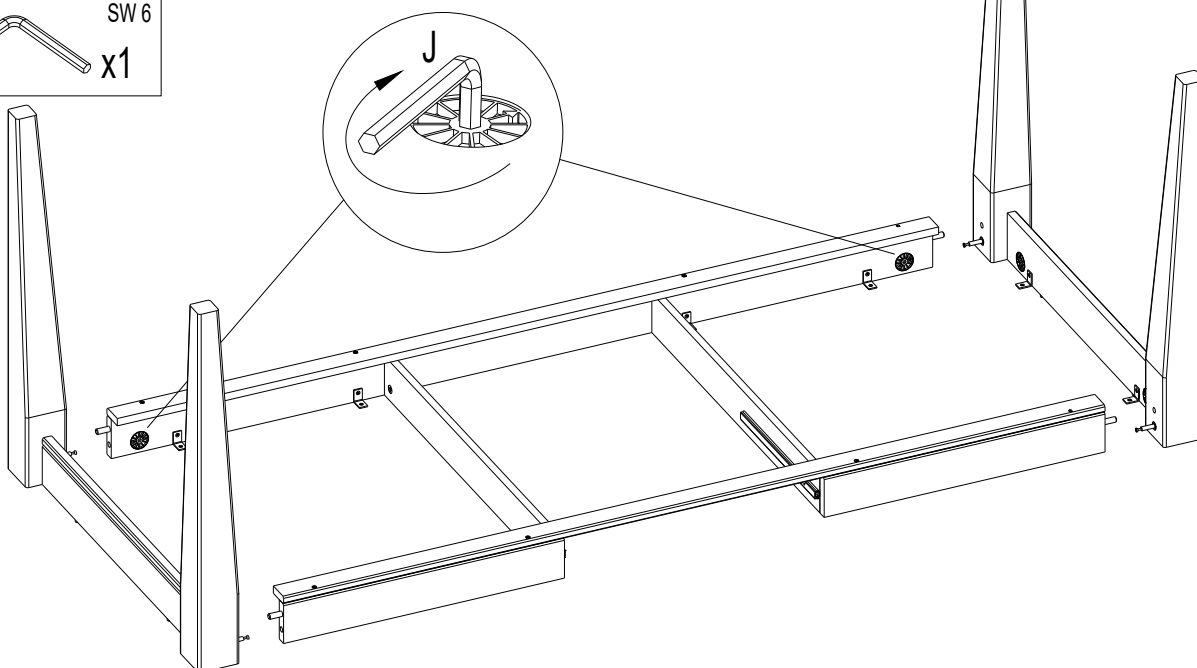


5

J

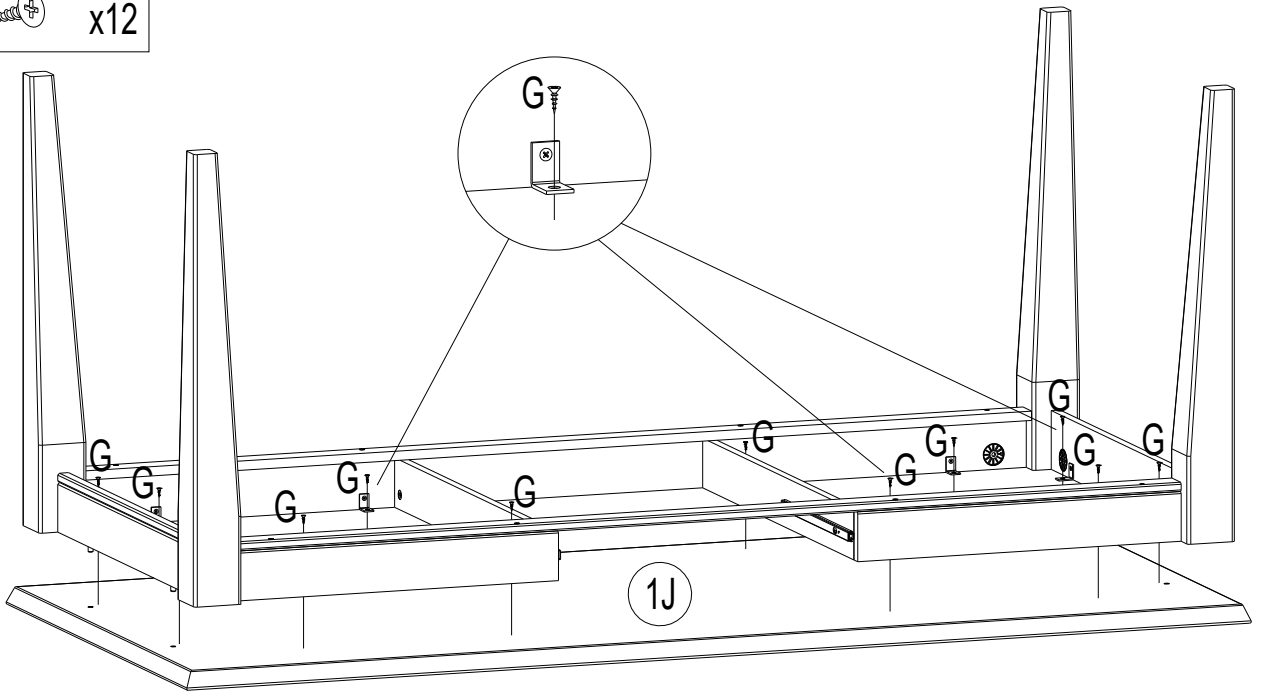
SW 6

x1



6

G 3.5x15  
x12



7

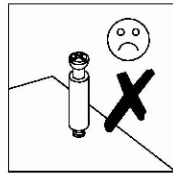
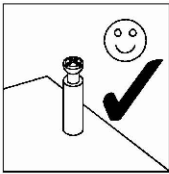
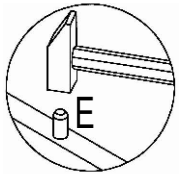
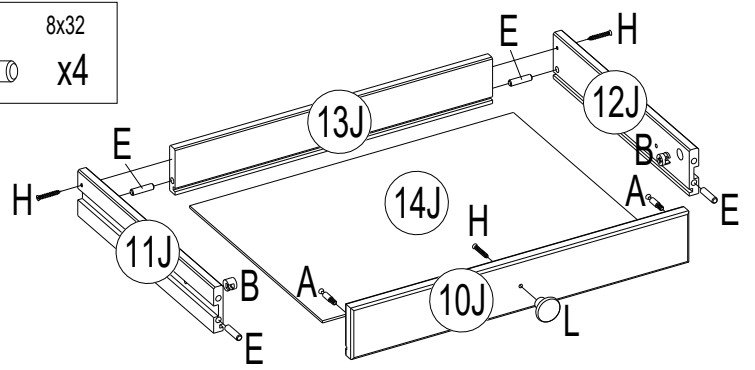
A x2

B x2

E 8x32  
x4

H 3.5x35  
x3

L x1



8

I M4x10  
x2

