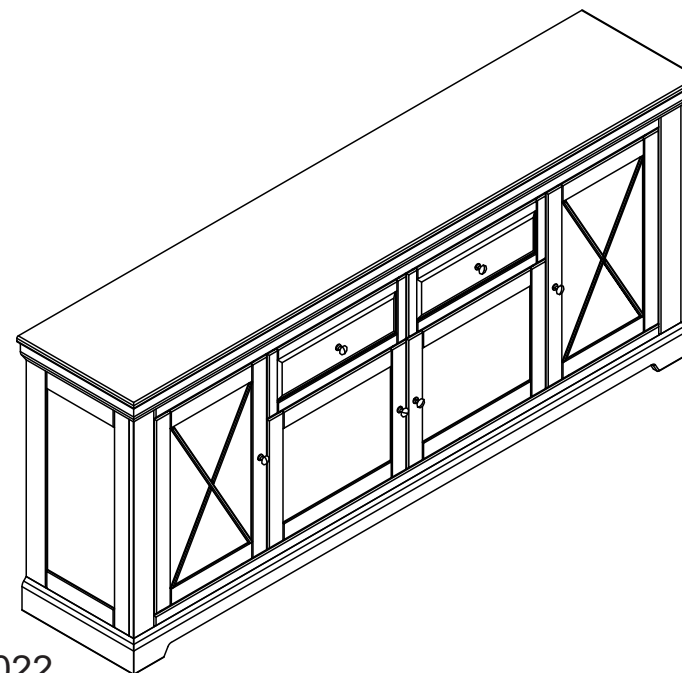
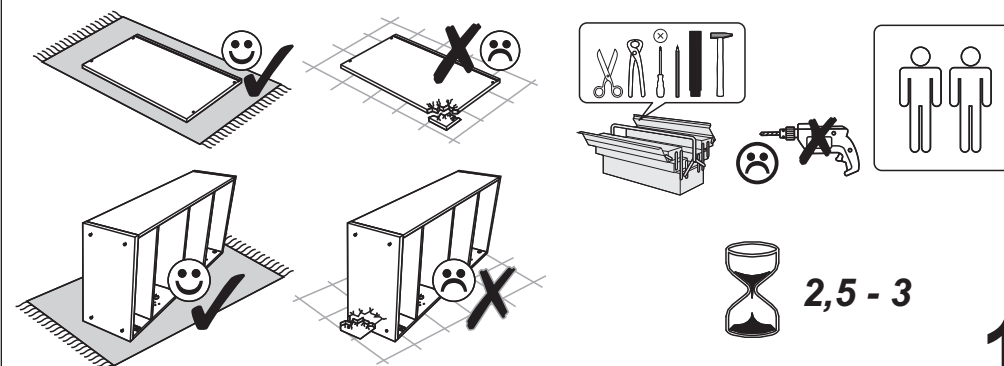


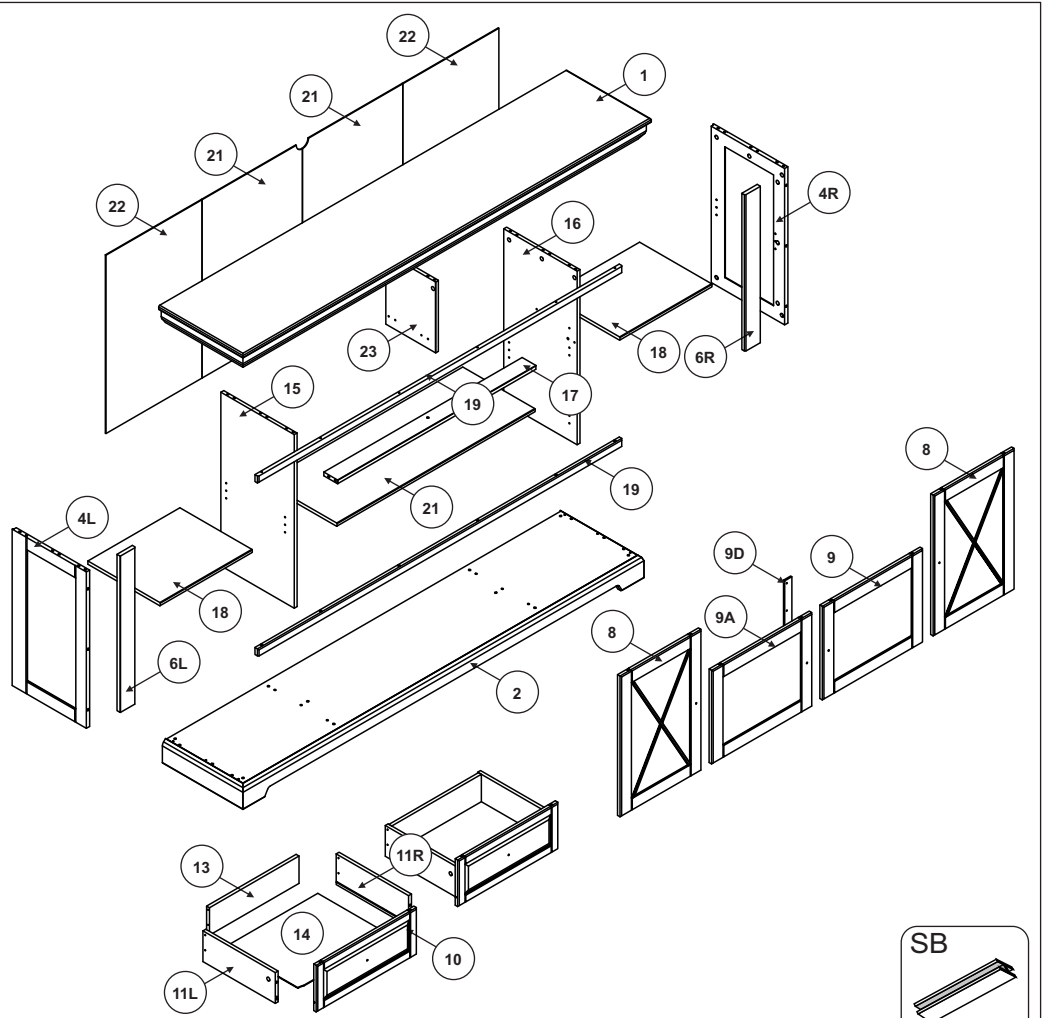


- | | |
|---|-------------------------------------|
| (D) Montageanleitung | (GB) Assembly instructions |
| (FR) Notice de montage | (IT) Istruzioni di montaggio |
| (NL) Handleiding voor de montage | (PL) Instrukcja montażu |
| (CZ) Montážní návod | (SK) Návod na montáž |
| (HU) Szerelési útmutató | (RO) Instrucțiuni de montaj |
| (TR) Montaj talimatı | (RU) ИНСТРУКЦИЯ ПО МОНТАЖУ |

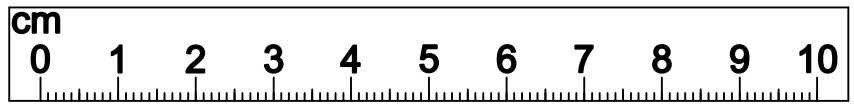
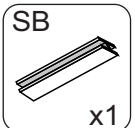


15.09.2022



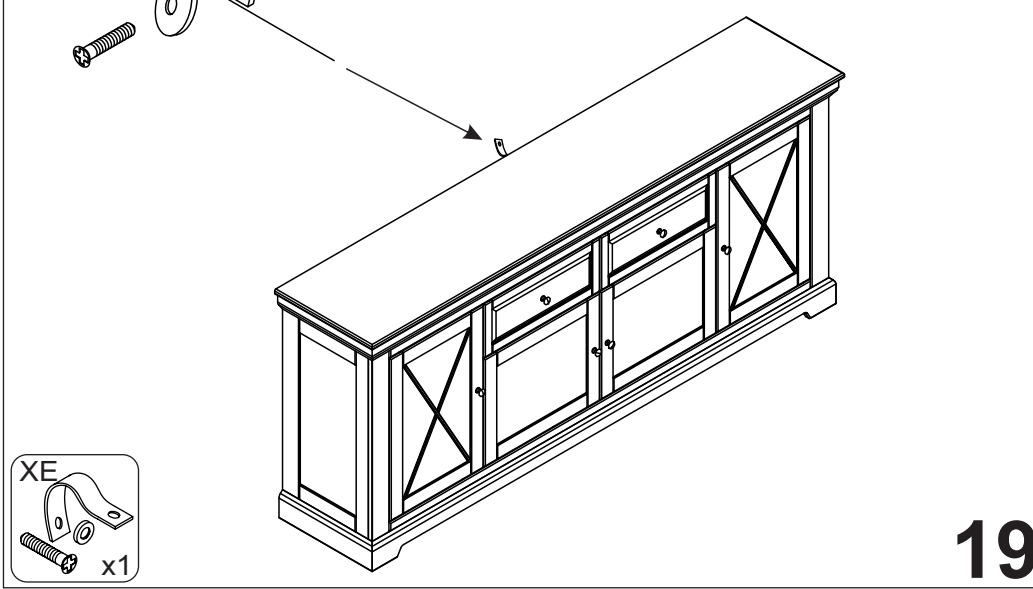
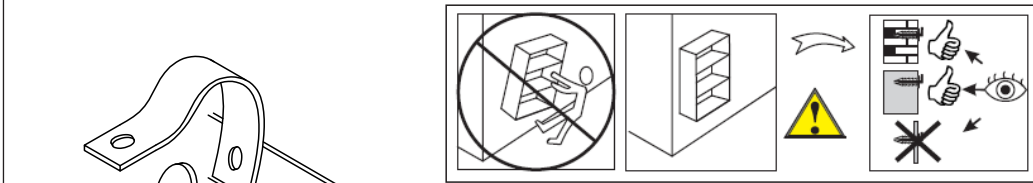
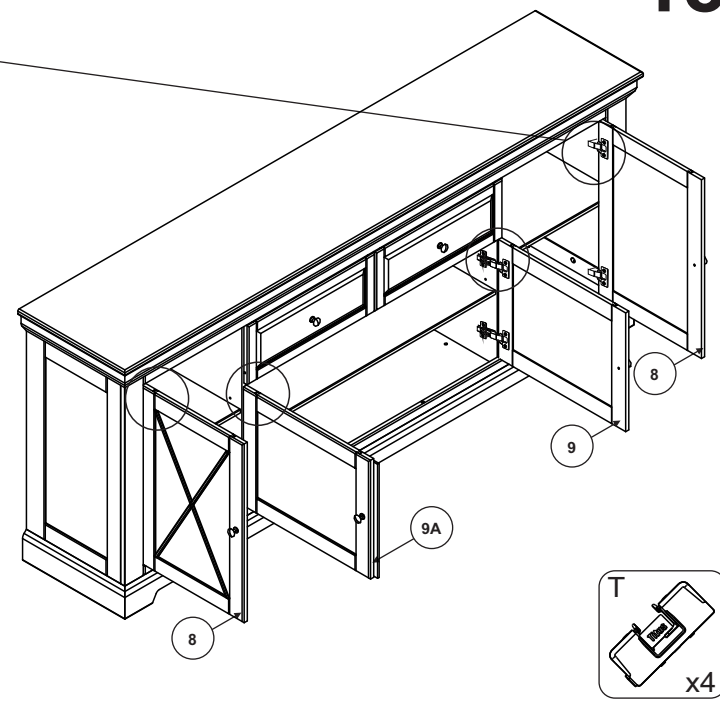
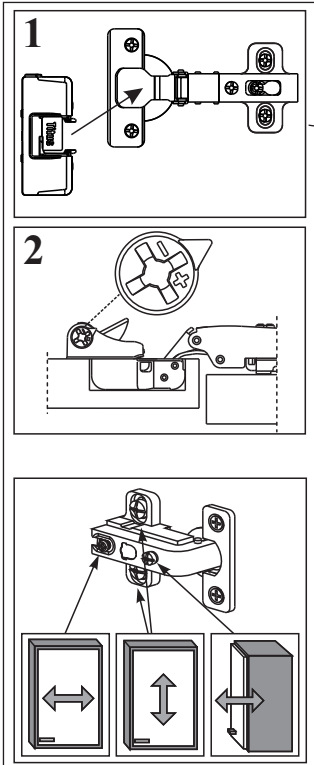


PA	RA	YB 1x20	ZF	YA 7x50	ZD 18mm	G L=350	H 6x10,5
x4	x4	x58	x4	x7	x18	x2	x8
XE	MA	W 4mm	B 34mm	C 15x10	ZA 12mm	YF M4x25	NT 3,5x40
x1	x10	x1	x32	x32	x12	x6	x20
O	P	R	T	A 8x35	NA 3,5x16	Y 5mm	NF 3x16
x6	x4	x4	x4	x34	x16	x12	x14



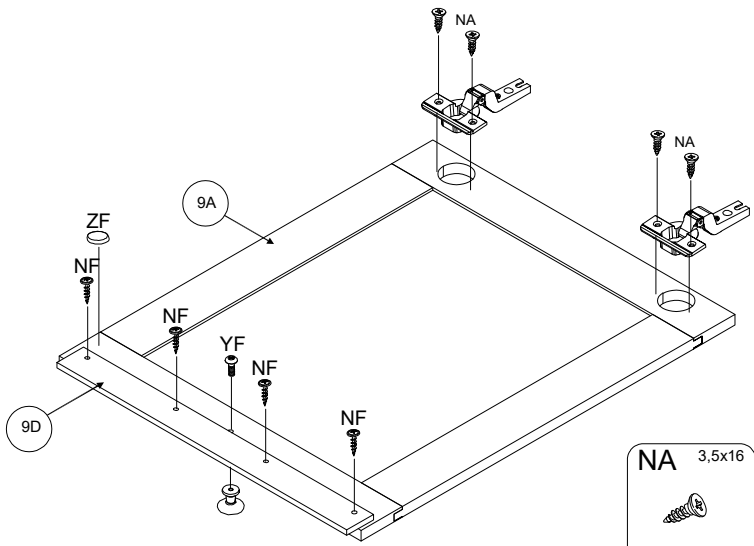
2

18



19

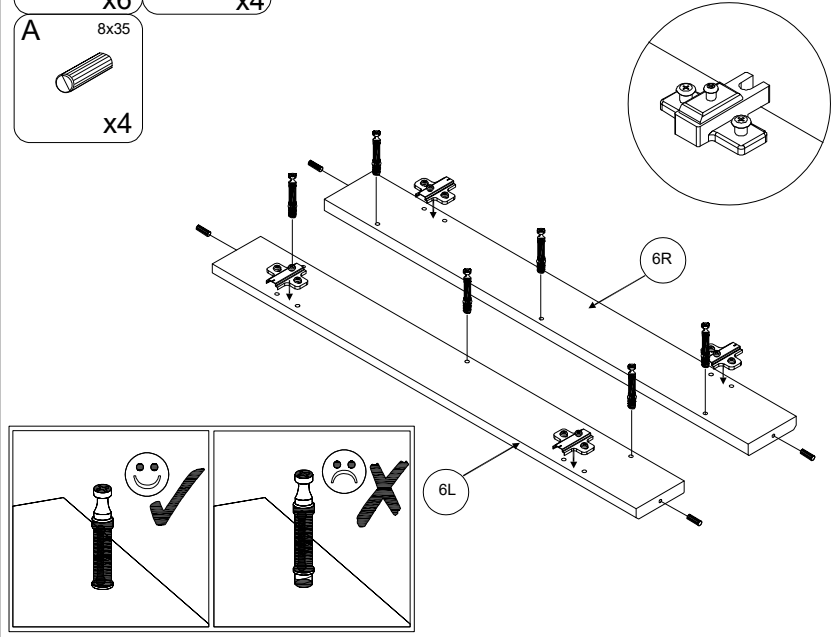
16



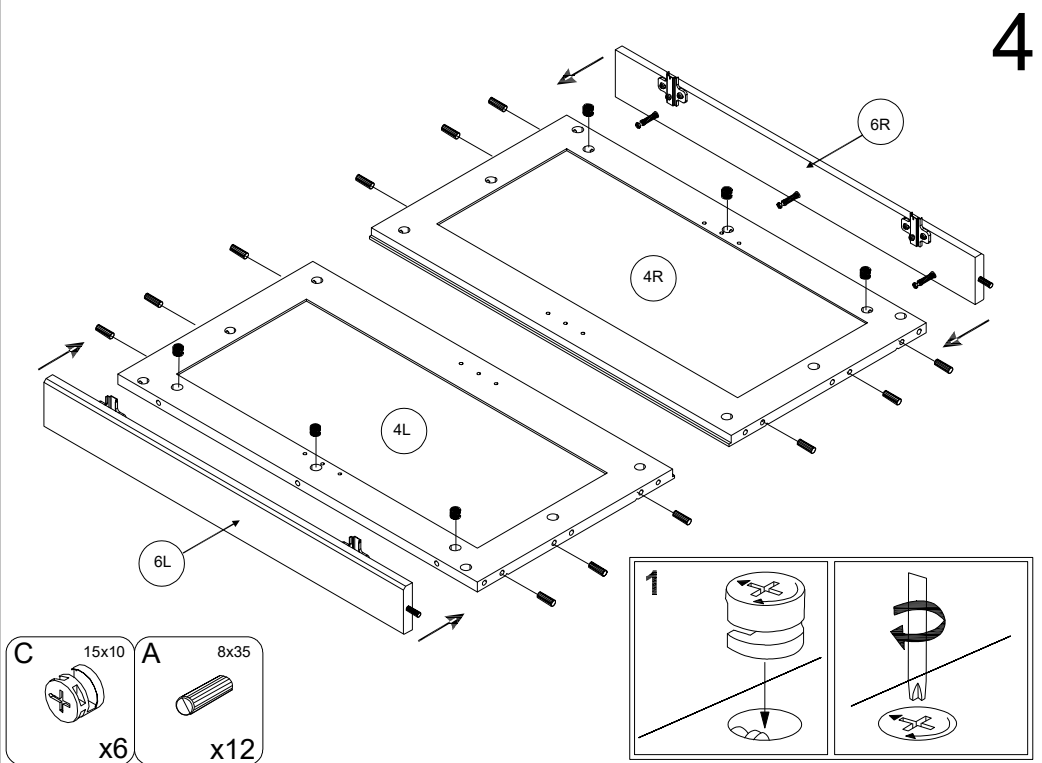
NA 3,5x16 x4	 x2	NF 3x16 x4
O x1	YF M4x25 x1	ZF x1

3

B 34mm x6	R x4
A 8x35 x4	

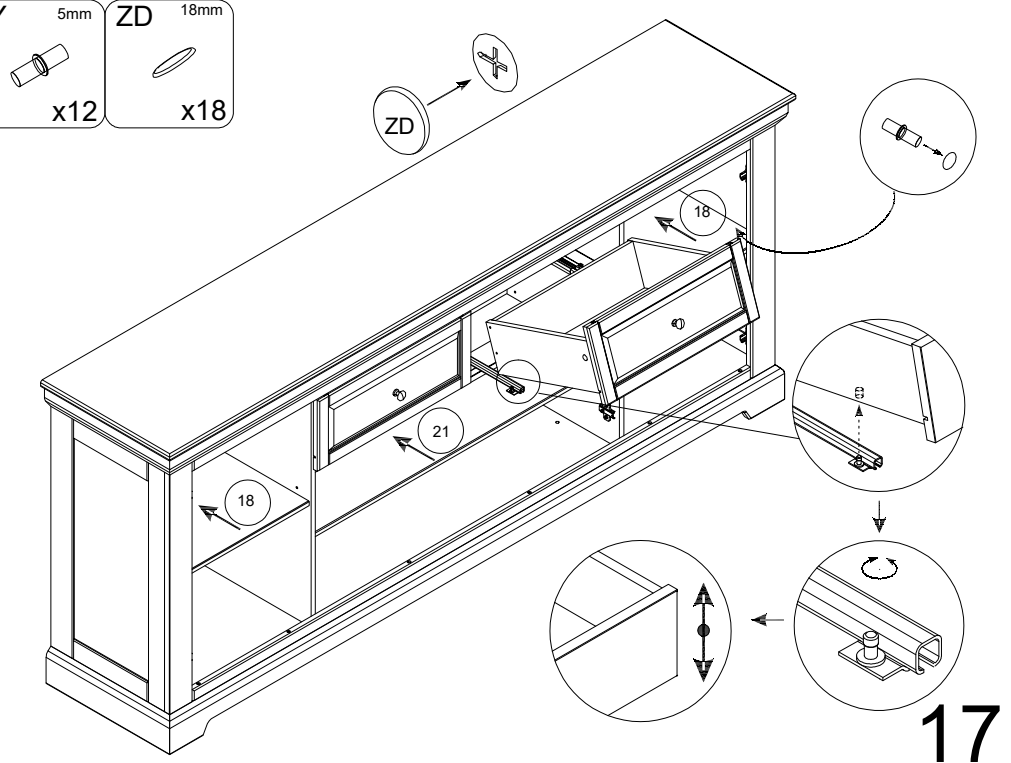


4

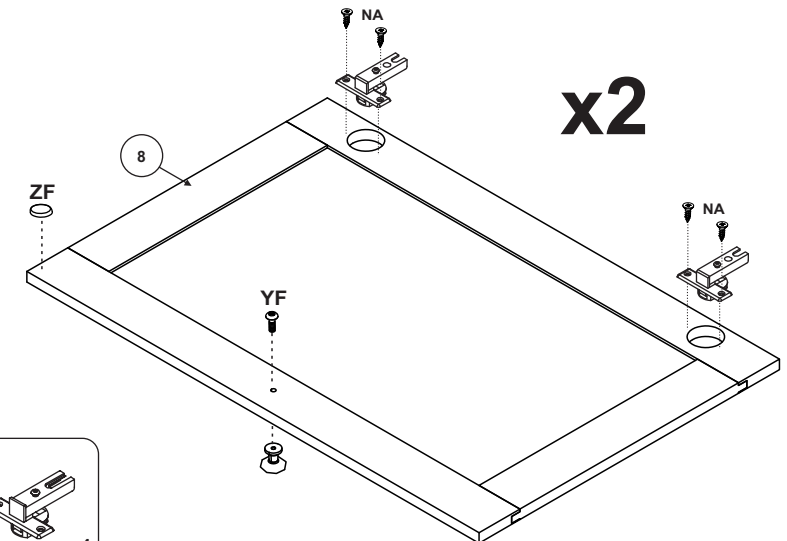


C 15x10 x6	A 8x35 x12
-------------------------	-------------------------

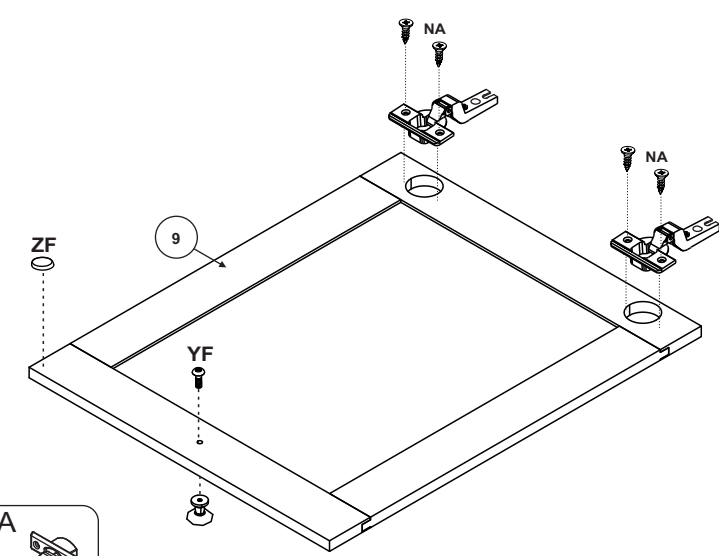
17



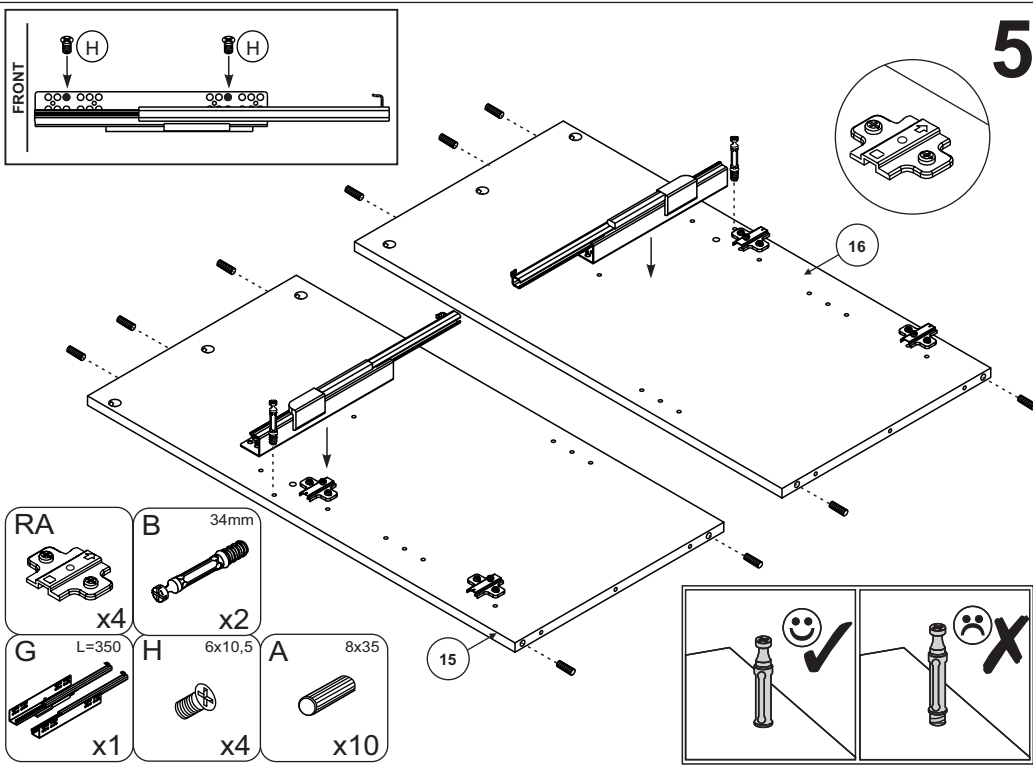
x2



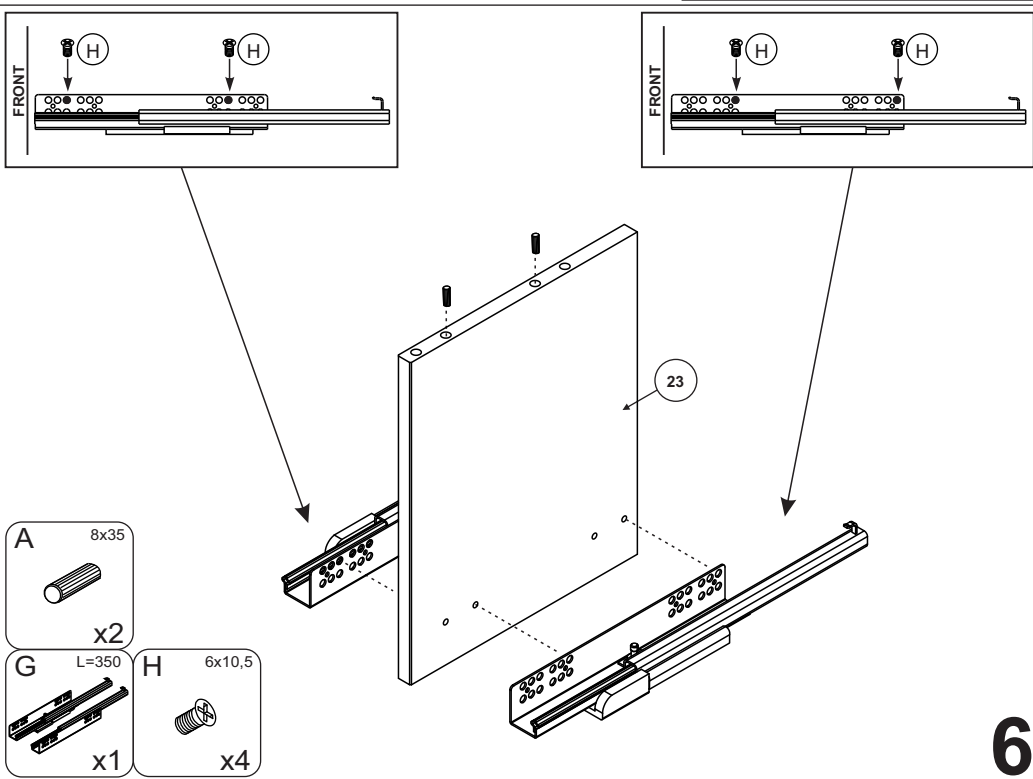
- NA 3,5x16 x8
- P x4
- O x2
- YF M4x25 x2
- ZF x2



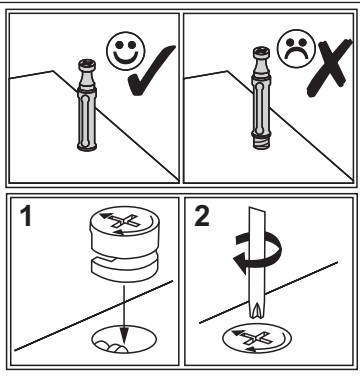
- NA 3,5x16 x4
- PA x2
- O x1
- YF M4x25 x1
- ZF x1



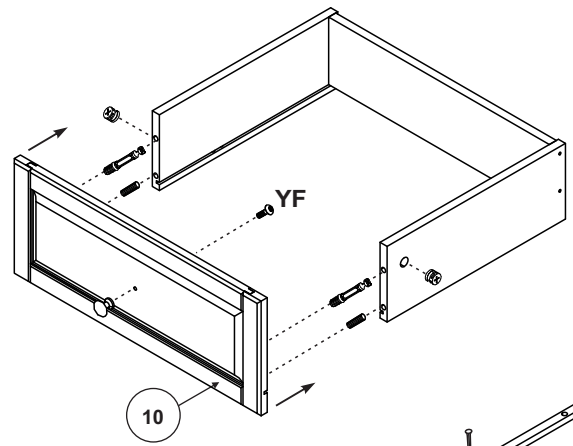
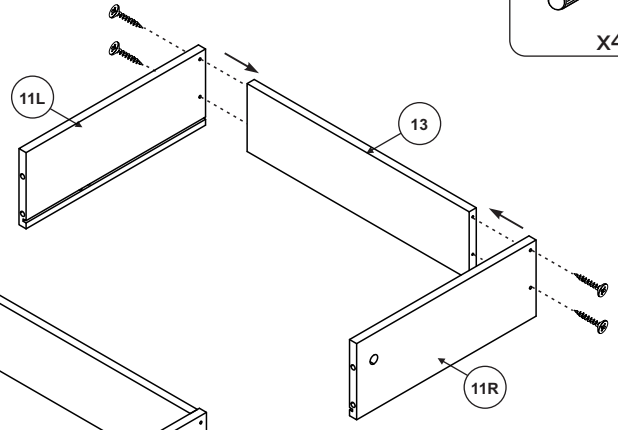
- RA x4
- B 34mm x2
- G L=350 x1
- H 6x10,5 x4
- A 8x35 x10



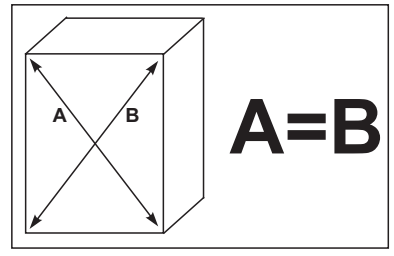
- A 8x35 x2
- G L=350 x1
- H 6x10,5 x4



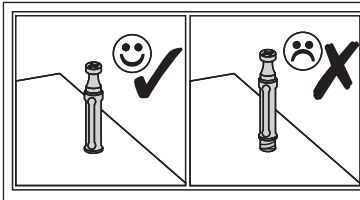
- NT 3,5x40 x8
- YB 1x20 x10
- O x2
- B 34mm x4
- C 15x10 x4
- YF M4x25 x2
- A 8x35 x4



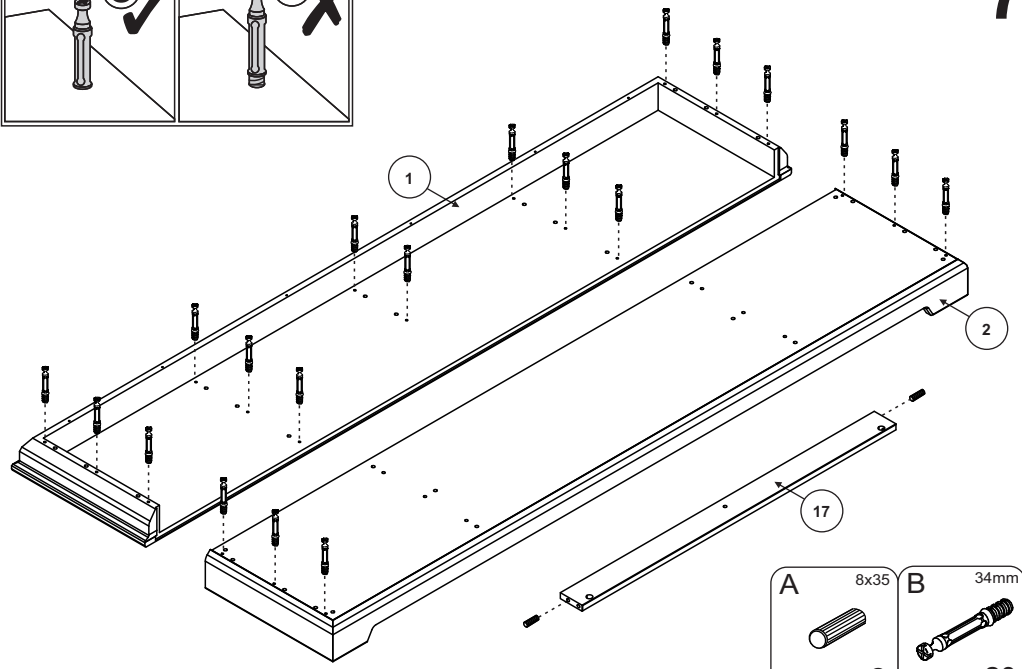
x2



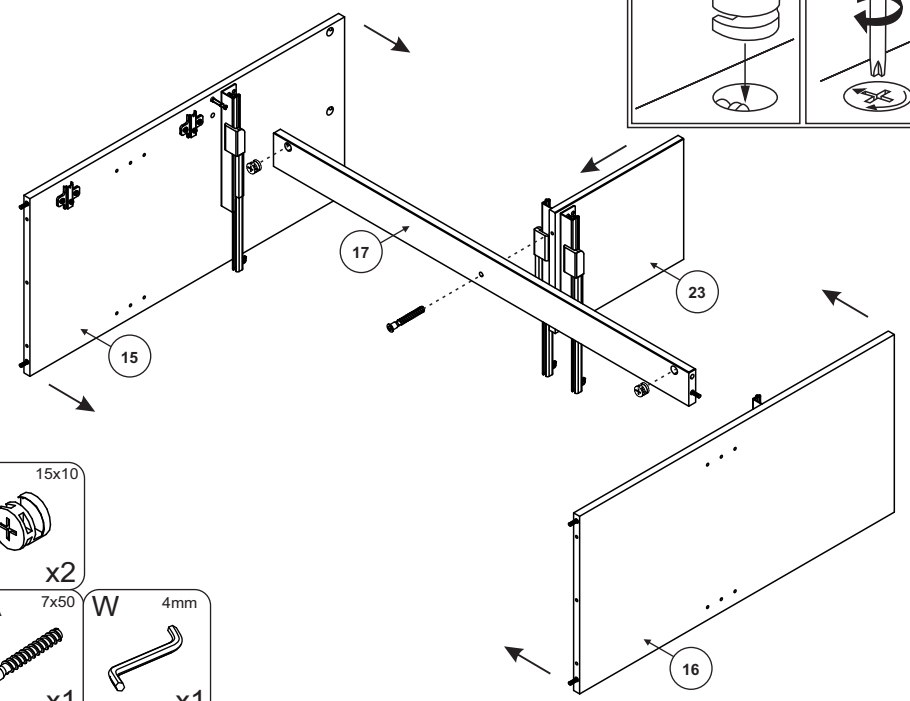
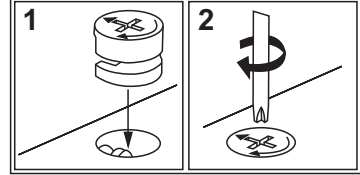
13



7

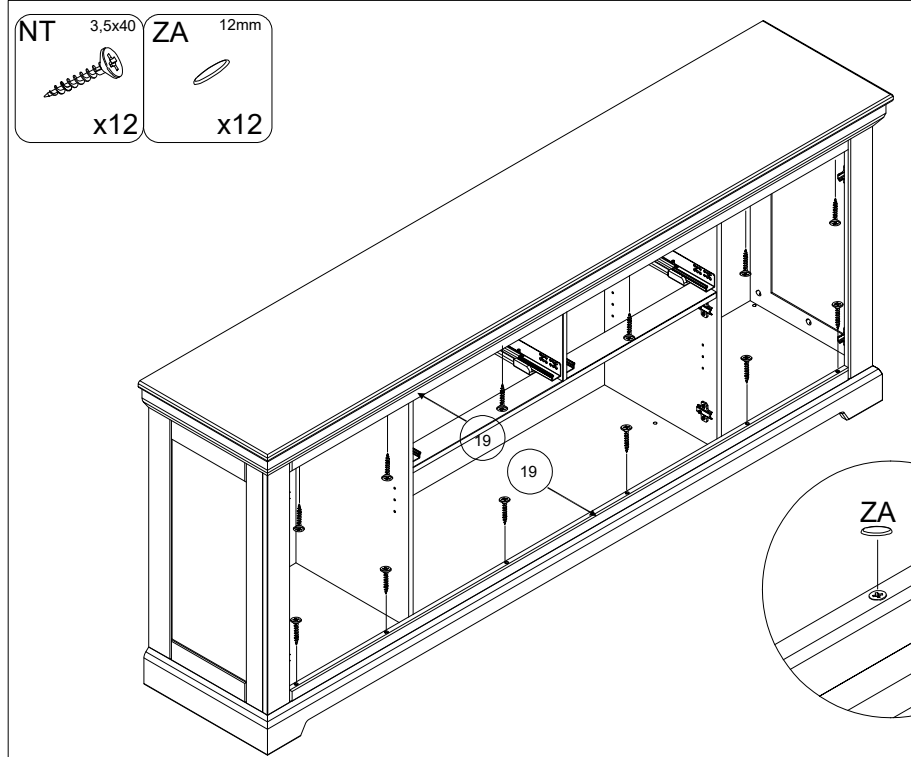


- A 8x35 x2
- B 34mm x20

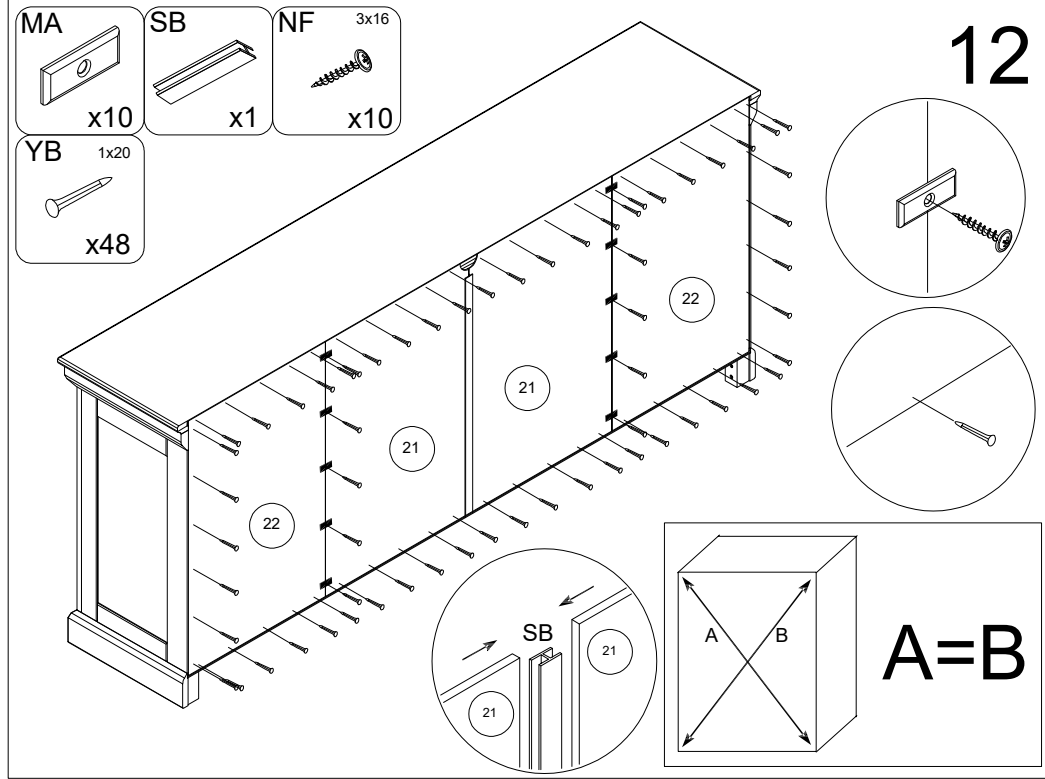


- C 15x10 x2
- YA 7x50 x1
- W 4mm x1

8

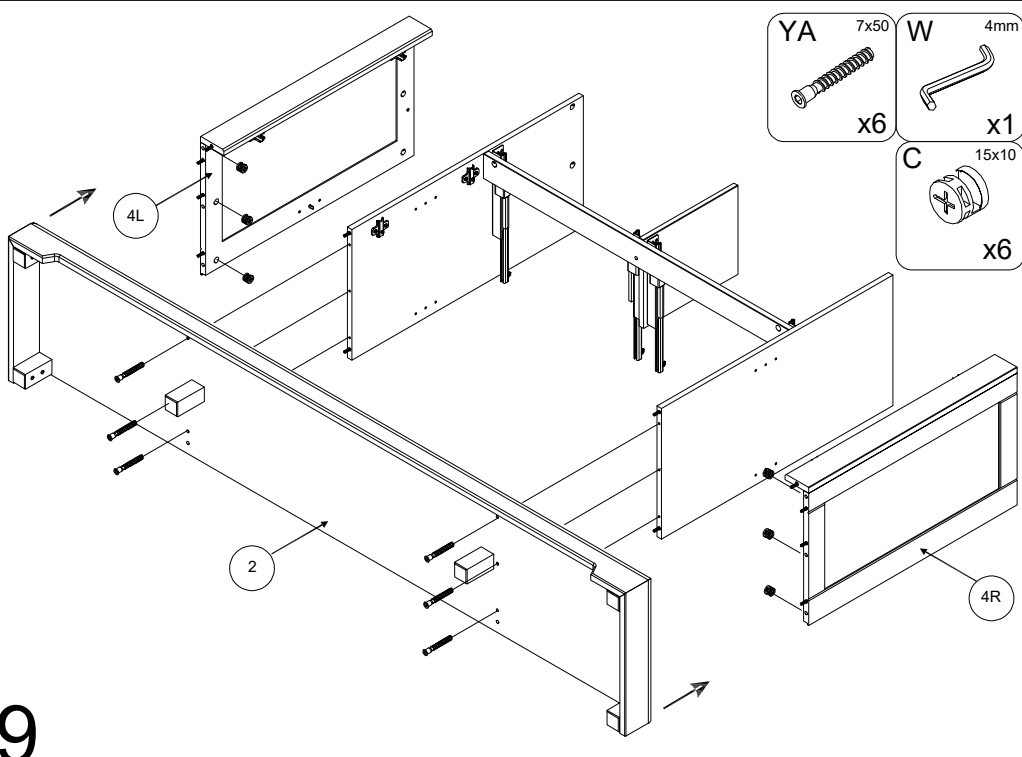


- NT 3,5x40 x12
- ZA 12mm x12

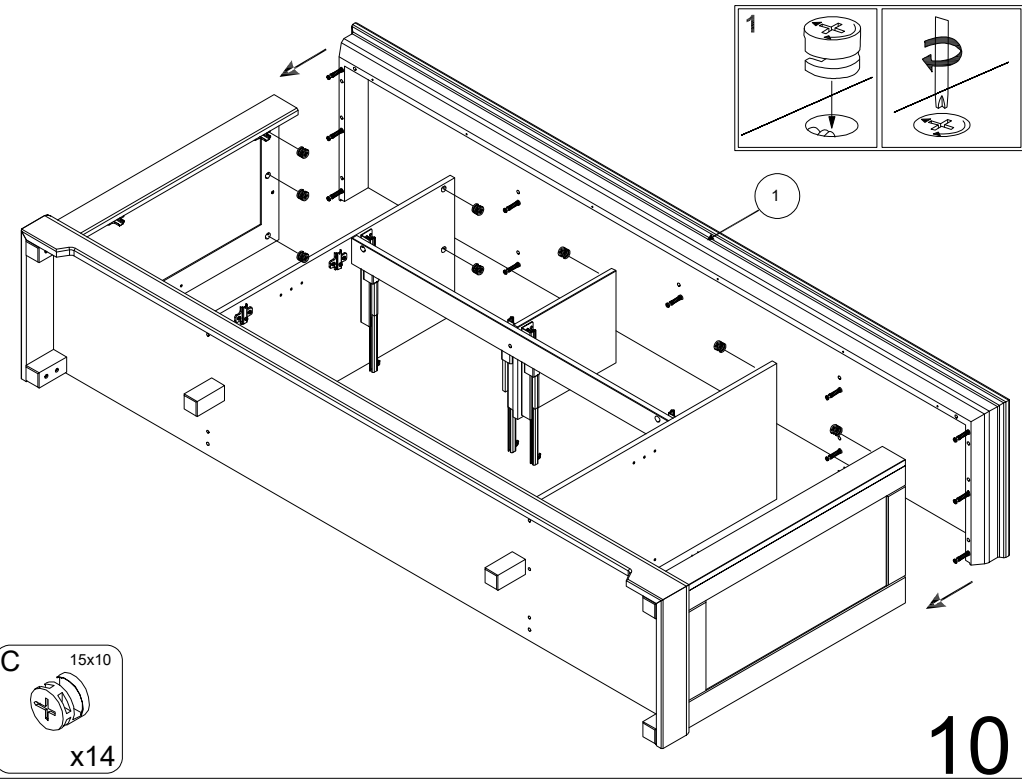


- MA x10
- SB x1
- NF 3x16 x10
- YB 1x20 x48

A=B



- YA 7x50 x6
- W 4mm x1
- C 15x10 x6



- 1 x1

- C 15x10 x14