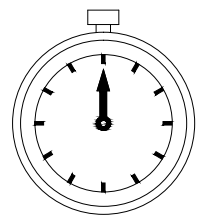
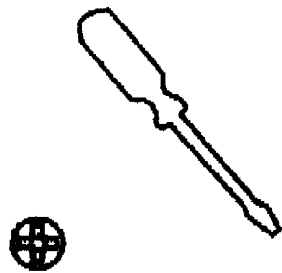
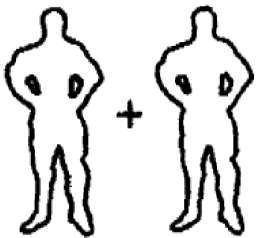


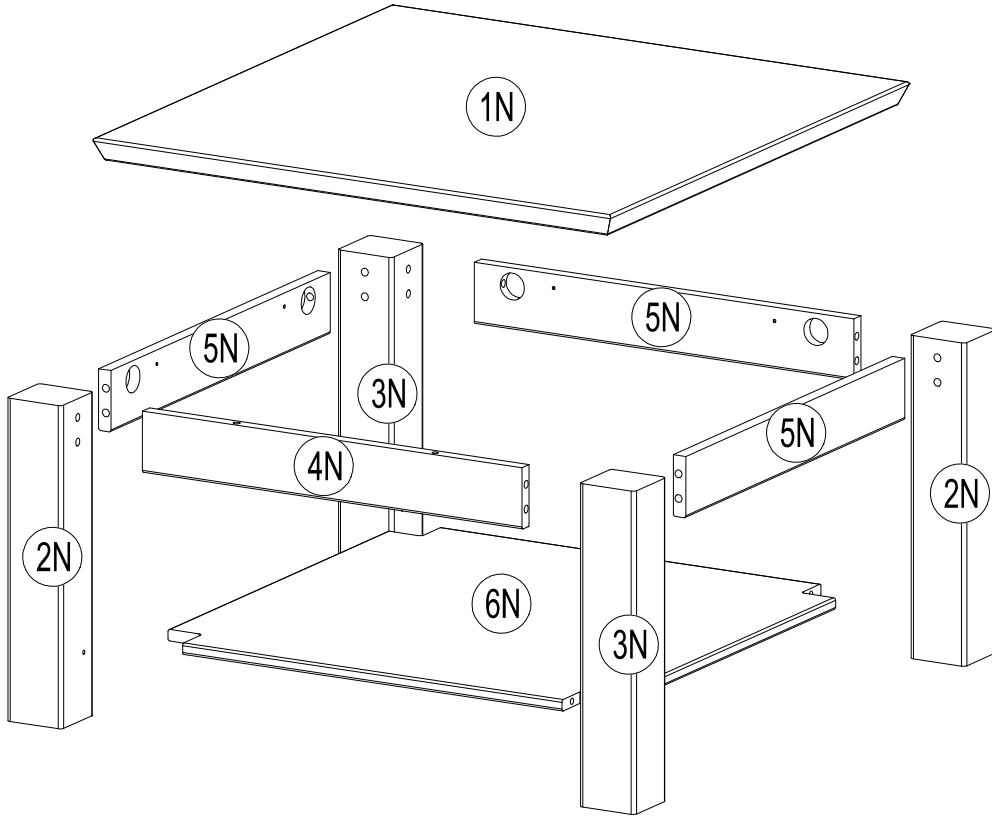
MARONE - 2SMAR15



60 min



- | | | | | |
|----------------|---------------------------|------------------------|----------------|------------------------|
| A
x4 | B
x4 | C
x8 | D
x8 | E
8x32
x2 |
| F
x8 | G
3.5x15
x16 | H
SW 6
x1 | I
x8 | J
x4 |



- | | | | | | | |
|----------|----------------|----------------|----------------|------------------------|----------------|--------------------------|
| 1 | A
x4 | C
x8 | D
x8 | E
8x32
x2 | F
x8 | G
3.5x15
x8 |
|----------|----------------|----------------|----------------|------------------------|----------------|--------------------------|

