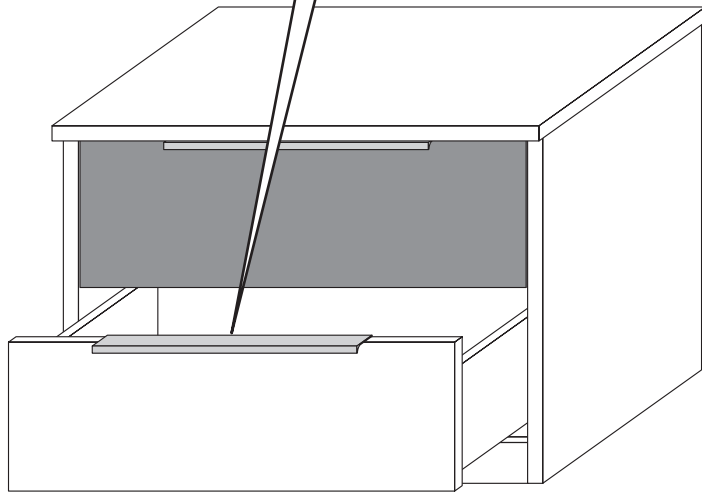
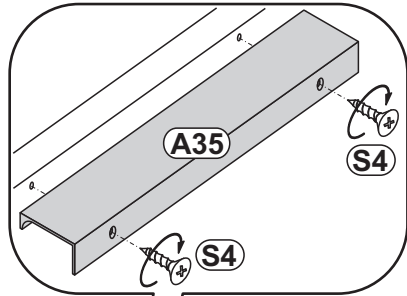
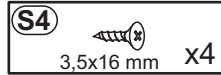
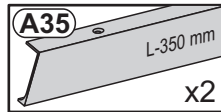




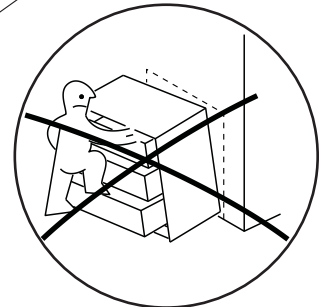
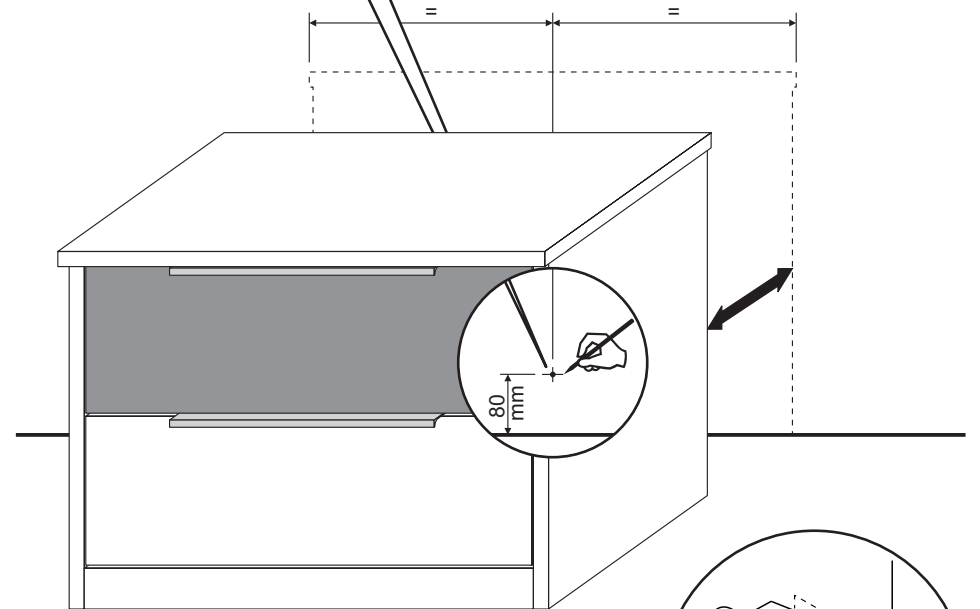
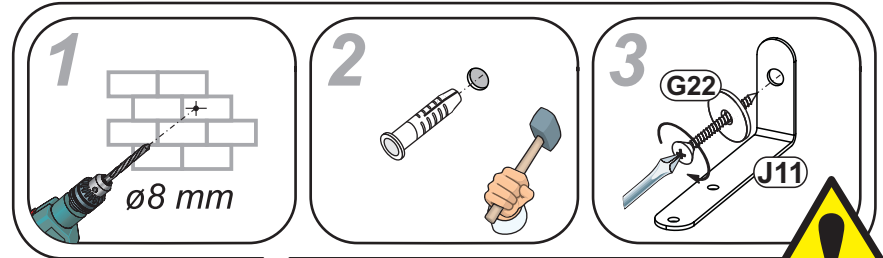
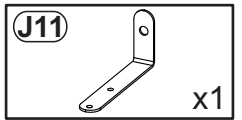
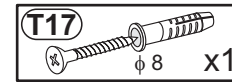
# ALTINO MSALT 60

2 / 3

1

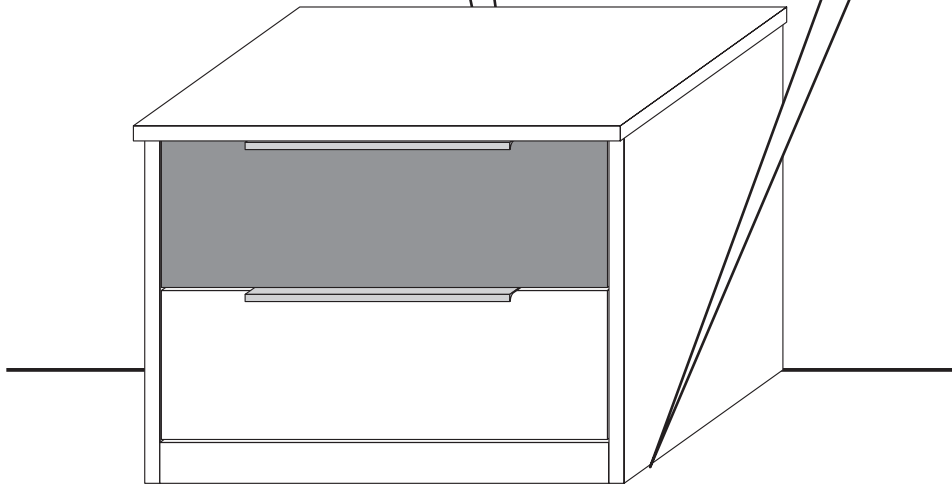
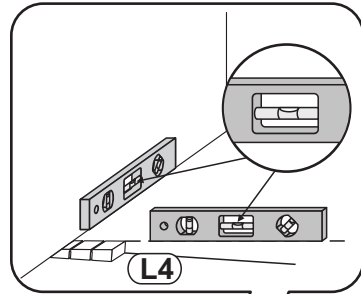
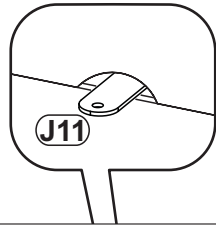


2



3

L4 x2



4

