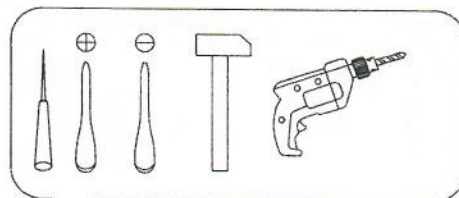
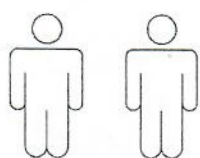
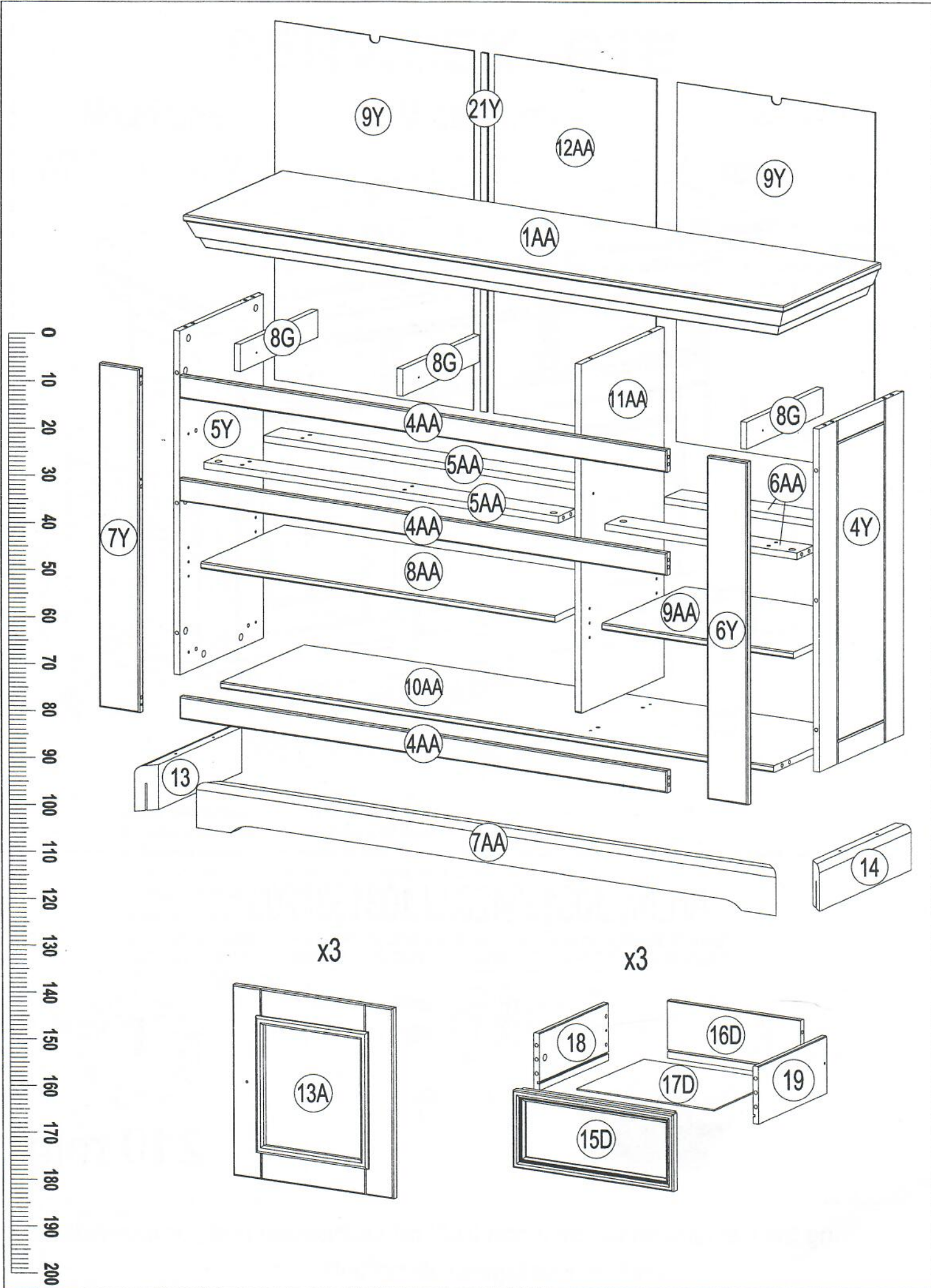


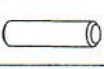
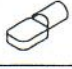
























MARONE - 2SMAR42







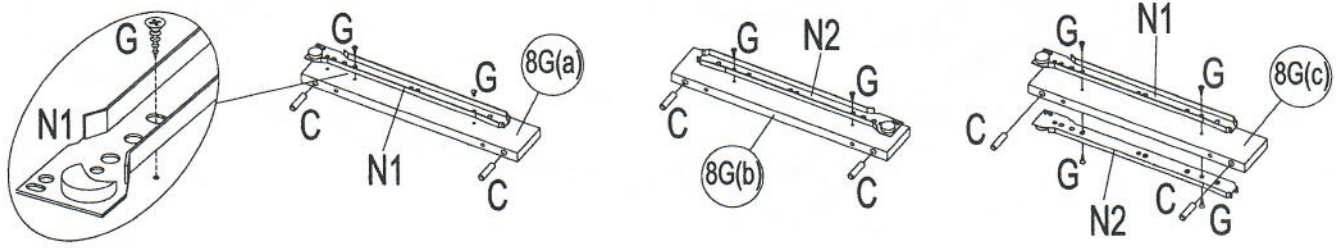
210 min



| | | | | | |
|---|---|---|--|---|--|
| A 030093  x42 | B 030110  x42 | C 230010 8x32 x52  | D 190009  x8 | E 210057  x6 | F 070017 30x30 x4  |
| G 250012 3.5x15 x52  | H 250042 4x35 x12  | I 030034 7x50 x6  | J 220043 1.2x20 x3  | K 110022 SW 4 x1  | L 220017 60 mm x2  |
| M1 160027  x3 | M2 160027  x3 | N1 160027  x3 | N2 160027  x3 | O 180056  x4 | P a) 180034 b) x2 x4  |
| Q 180074  x2 | R 180061  x2 | S1 090001 8x50 x2  | S2 180080  x2 | S3 250012 3.5x15 x2  | S4 250069 5x50 x2  |
| T 180031  x2 | U 180017  x1 | | | | |

| No | Size/MaB (mm) | Qty | ✓ | No | Size/MaB (mm) | Qty | ✓ |
|------|---------------|-----|---|-----|---------------|-----|---|
| 1AA | 1488x420x77 | 1 | | 19 | 300x130x14 | 3 | |
| 4AA | 1208x50x18 | 3 | | 13A | 430x400x27 | 3 | |
| 5AA | 879,5x74x15 | 2 | | 15D | 400x172x33 | 3 | |
| 6AA | 477,5x74x15 | 2 | | 16D | 334x130x14 | 3 | |
| 7AA | 1438x100x38 | 1 | | 17D | 343x292x3 | 3 | |
| 8AA | 878x357x15 | 1 | | 8G | 330x60x15 | 3 | |
| 9AA | 476x357x15 | 1 | | 4Y | 762x362x15 | 1 | |
| 10AA | 1372x362x15 | 1 | | 5Y | 762x362x15 | 1 | |
| 11AA | 774x357x15 | 1 | | 6Y | 762x100x18 | 1 | |
| 12AA | 793x402x3 | 1 | | 7Y | 762x100x18 | 1 | |
| 13 | 395x100x38 | 1 | | 9Y | 793x493x3 | 2 | |
| 14 | 395x100x38 | 1 | | 21Y | 770x17x7 | 1 | |
| 18 | 300x130x14 | 3 | | | | | |

| | | | | |
|----------|--|--|--|--|
| 1 | C 230010 8x32 x6  | G 250012 3.5x15 x8  | N1 160027  x2 | N2 160027  x2 |
|----------|--|--|--|--|



2

A 030093 x32

C 230010 8x32 x22

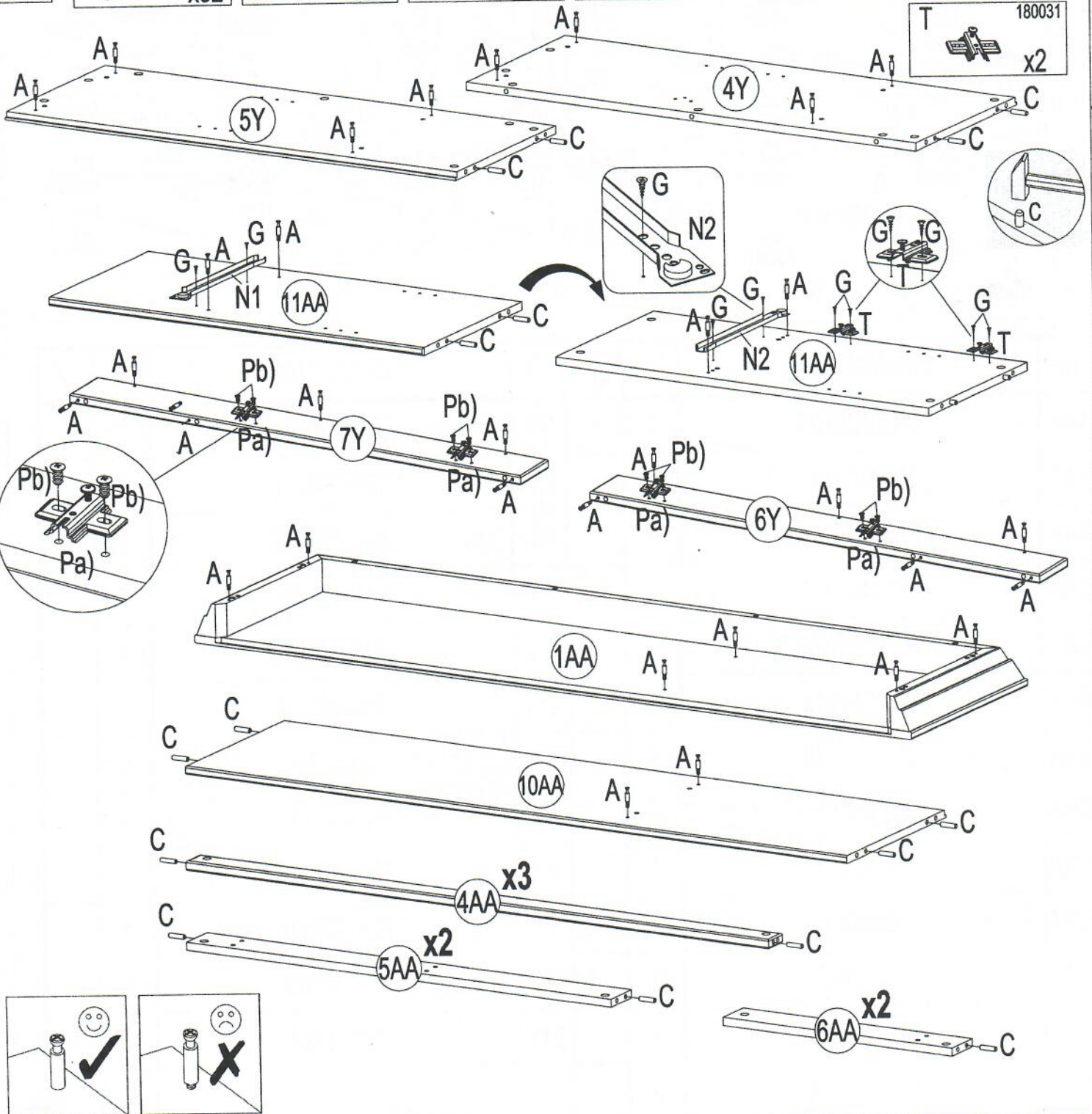
G 250012 3.5x15 x8

N1 160027 x1

N2 160027 x1

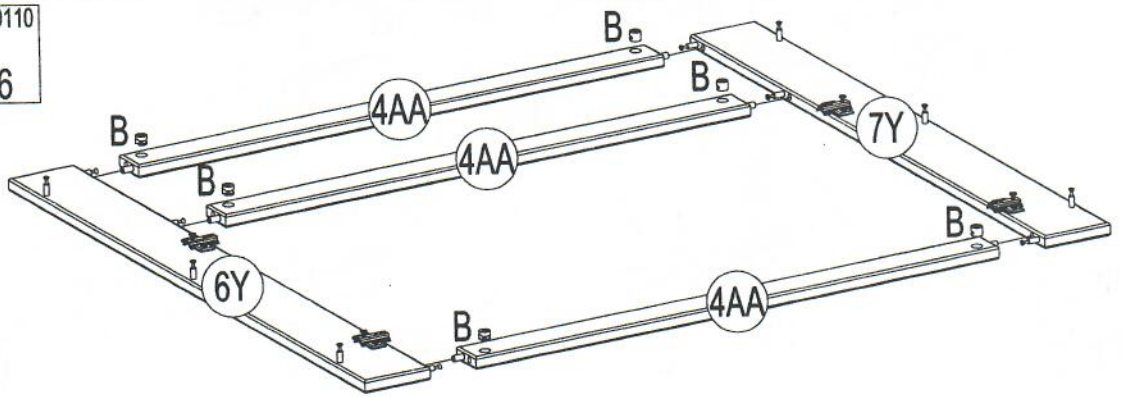
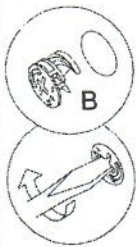
P a) 180034 b)x2 x4

T 180031 x2

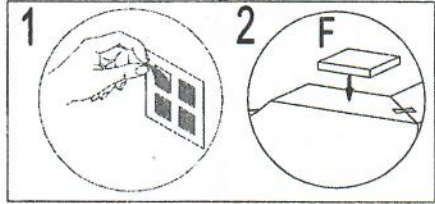
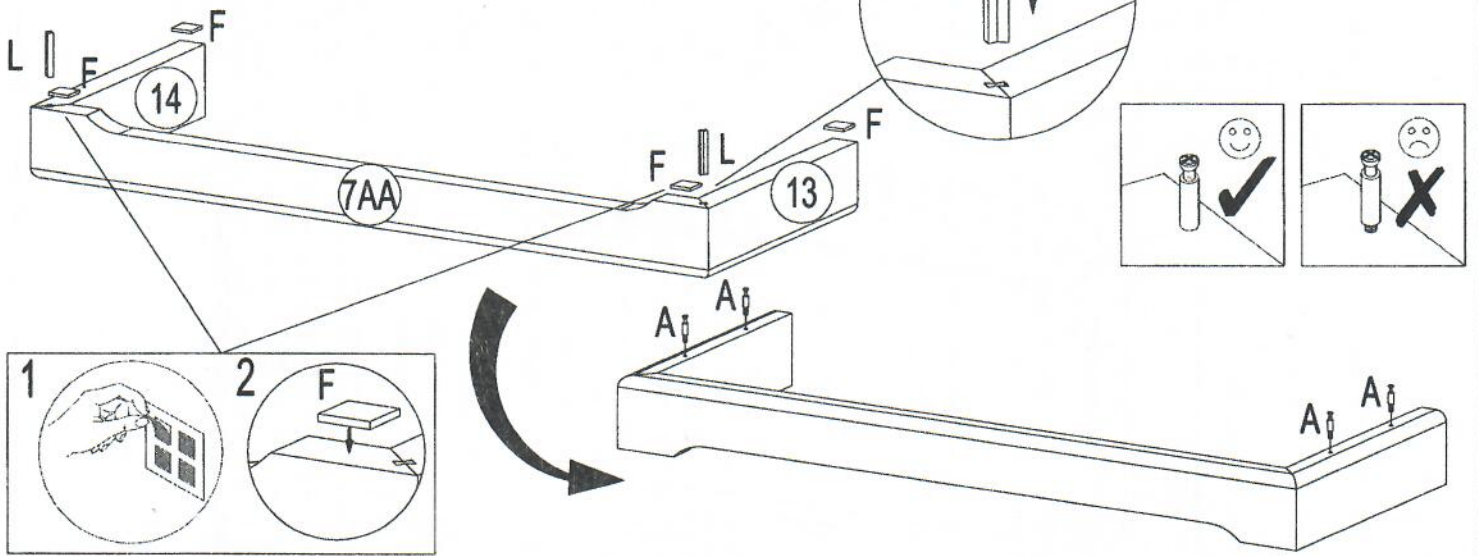


3

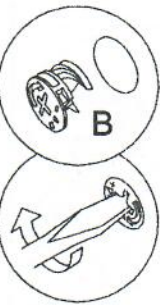
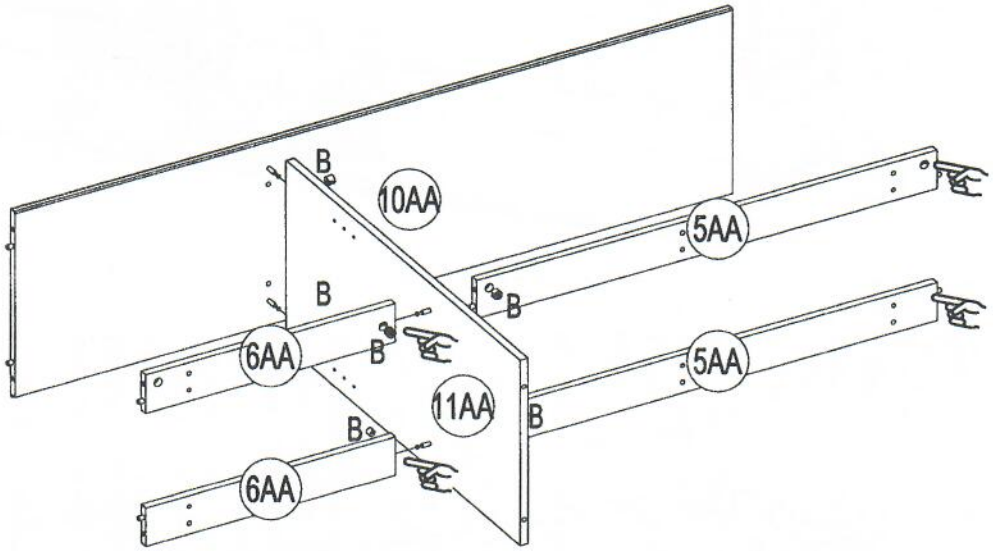
B 030110 x6



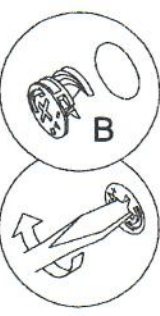
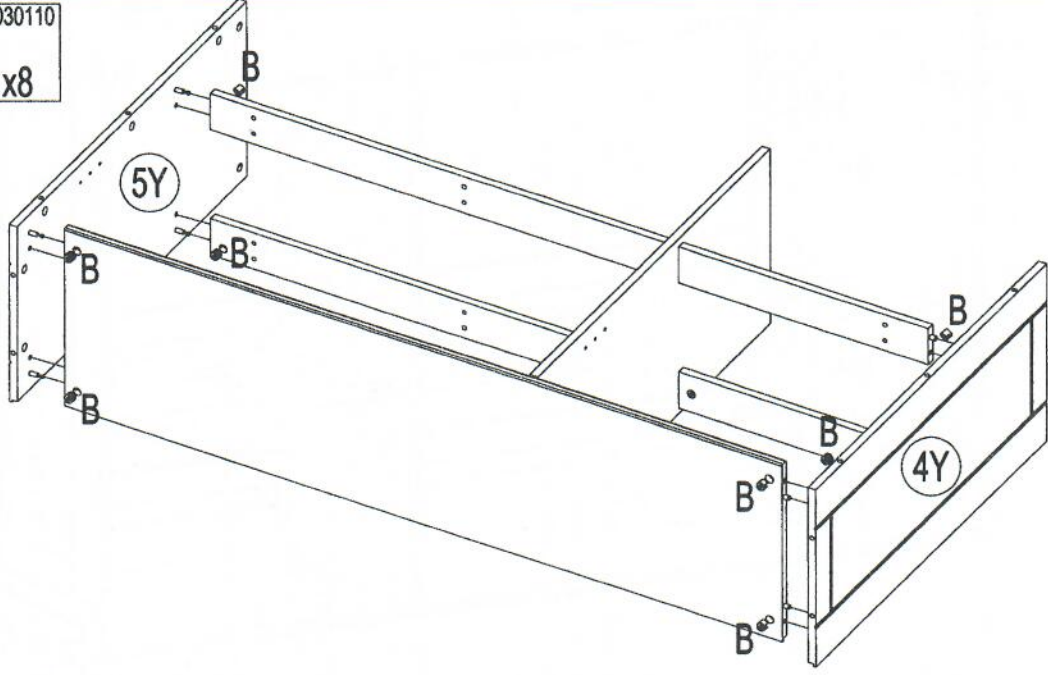
- 4**
- A** 030093 x4
- F** 070017 30x30 x4
- L** 220017 60 mm x2



- 5**
- B** 030110 x6

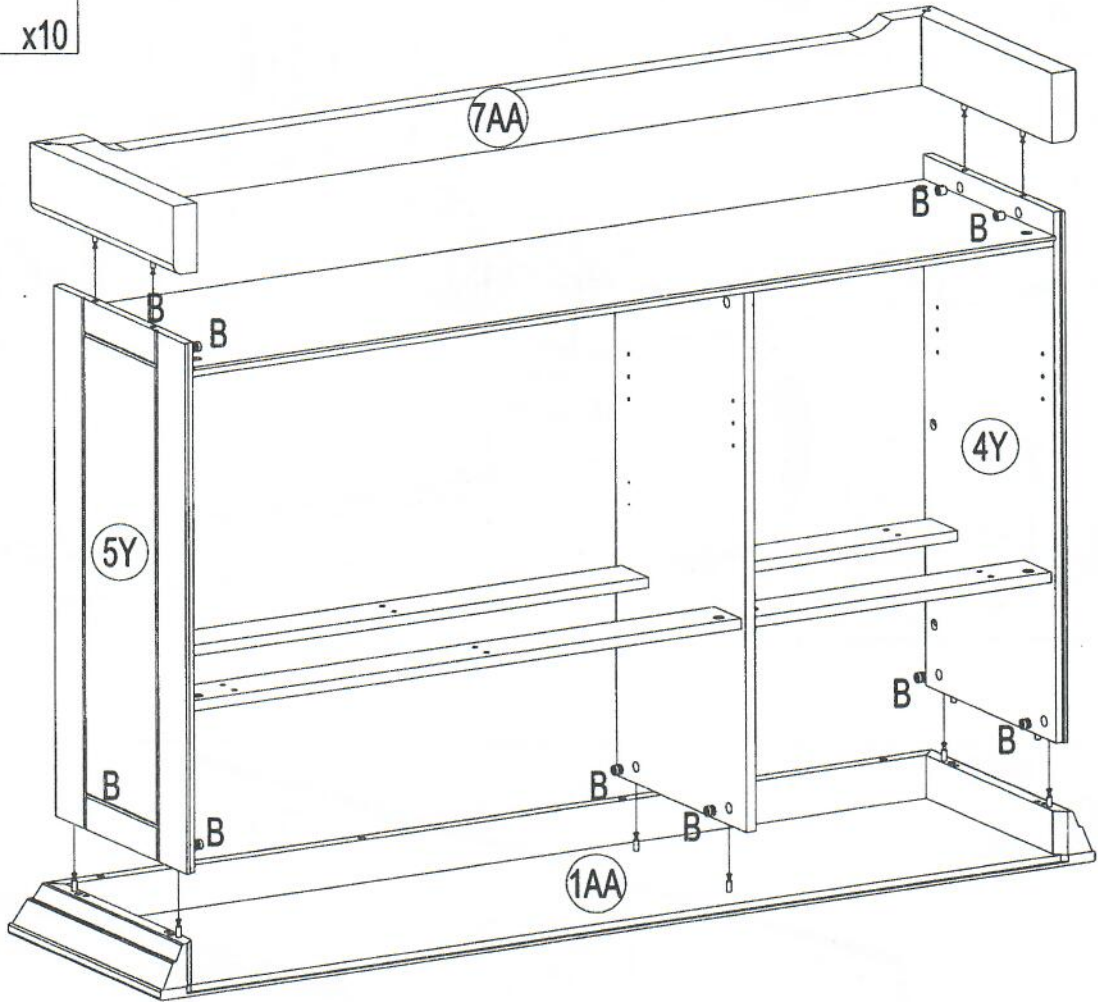


- 6**
- B** 030110 x8



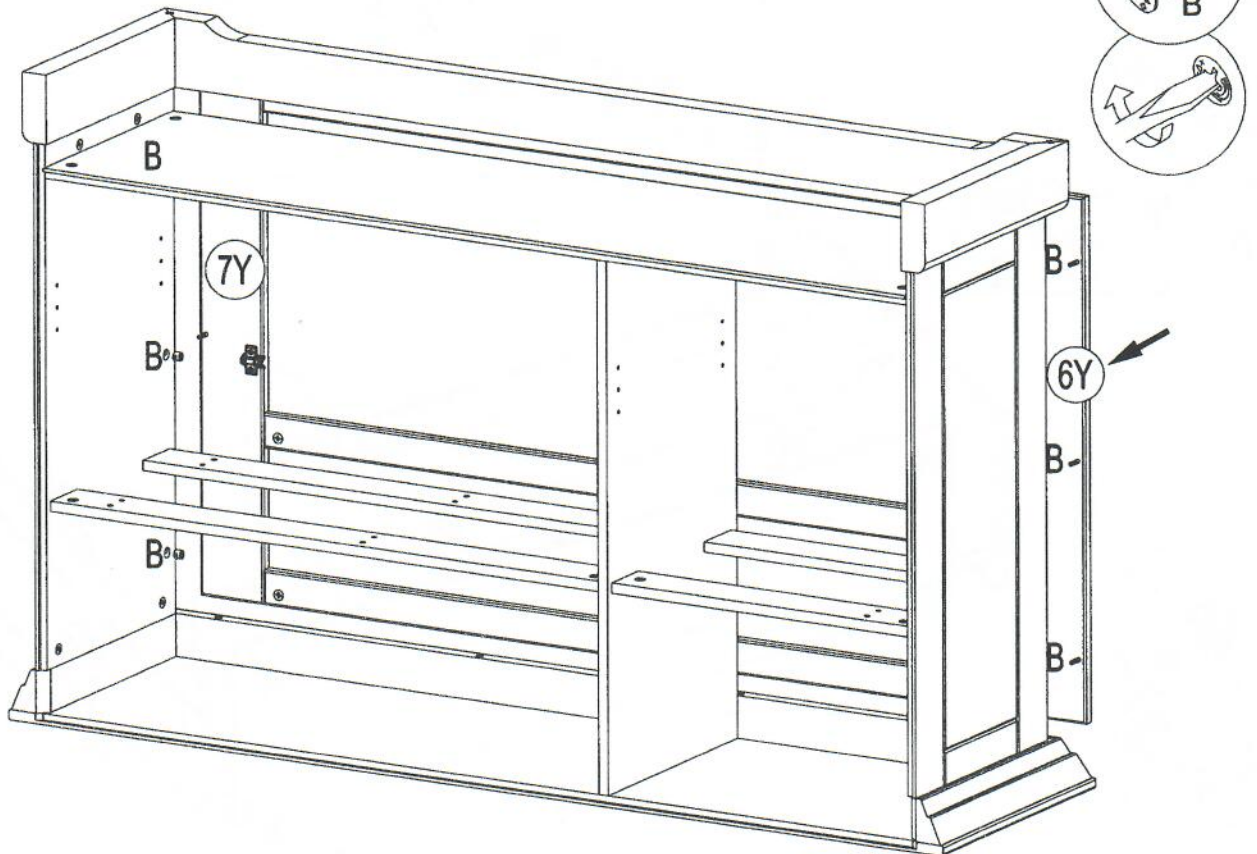
7

B 030110
x10




8


B 030110
x6




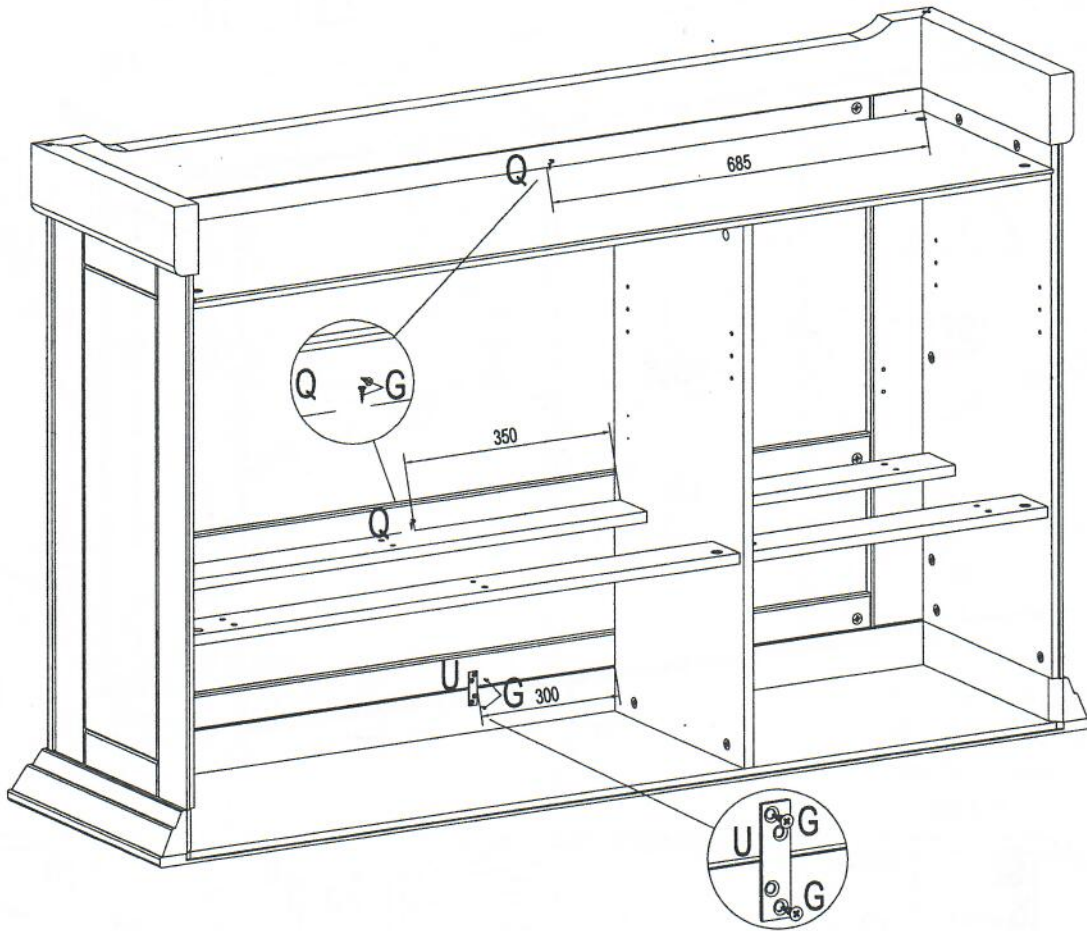
6-9

9


| | |
|--|--------|
| G | 250012 |
|  | 3.5x15 |
| | x6 |


| | |
|--|--------|
| Q | 180074 |
|  | |
| | x2 |


| | |
|--|--------|
| U | 180017 |
|  | |
| | x1 |

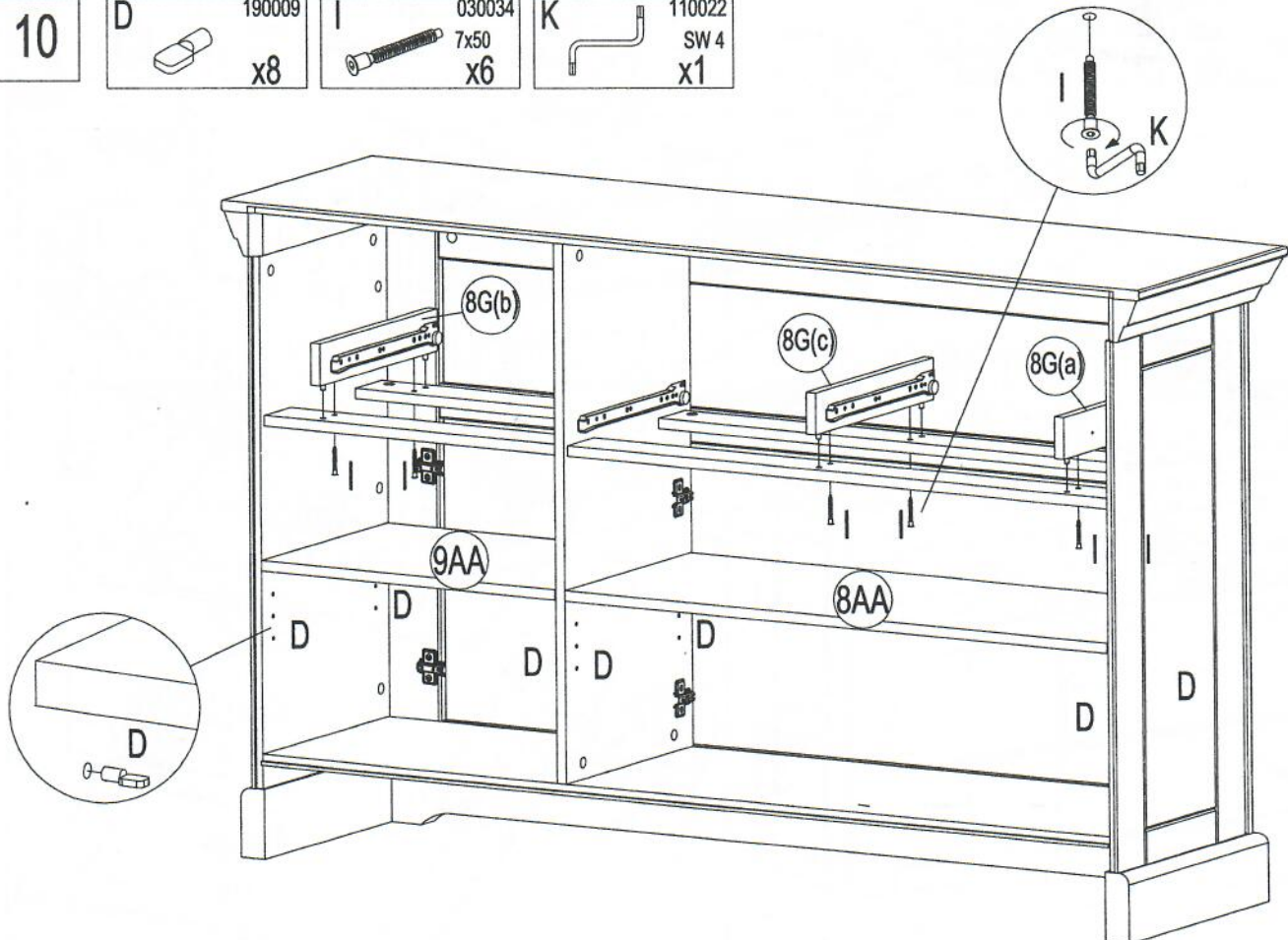


10

| | |
|---|--------|
| D | 190009 |
|  | |
| | x8 |

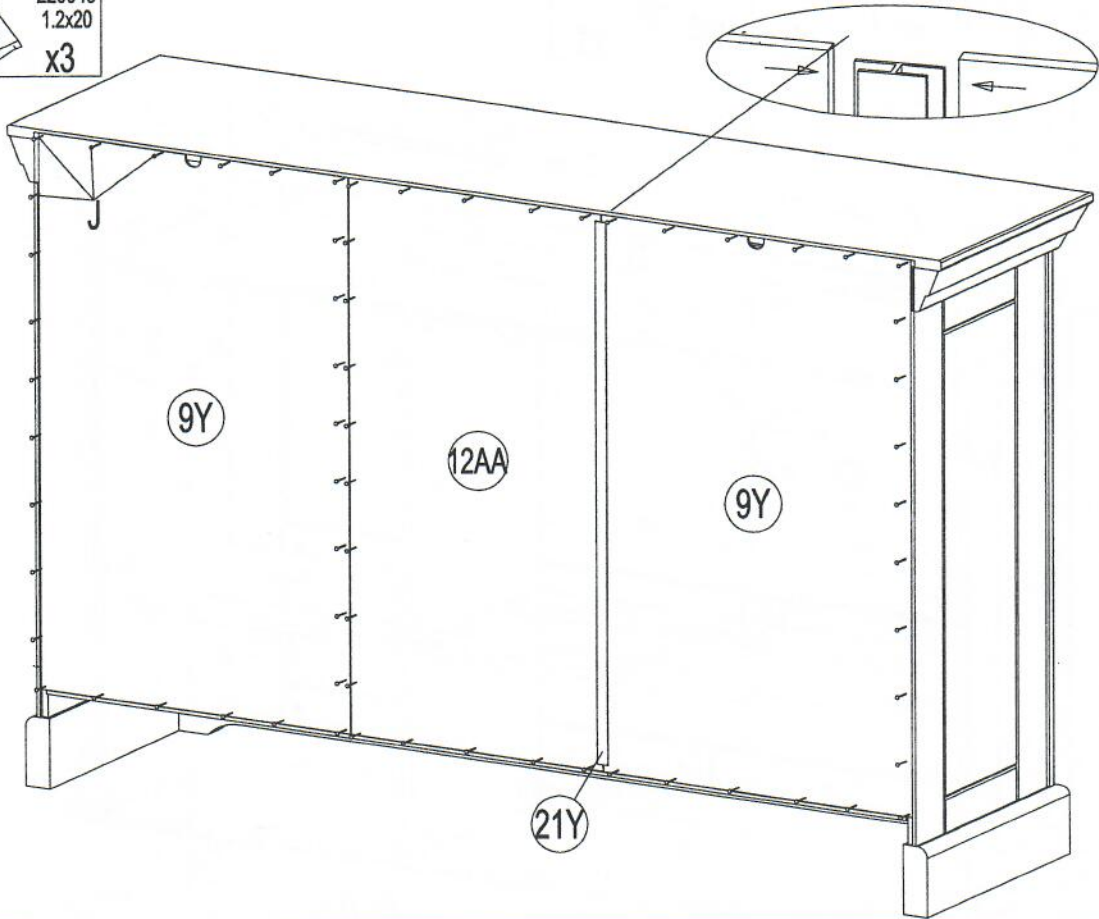
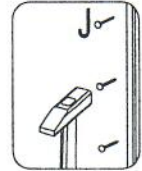
| | |
|---|--------|
| I | 030034 |
|  | 7x50 |
| | x6 |

| | |
|---|--------|
| K | 110022 |
|  | SW 4 |
| | x1 |



11

J 220043
1.2x20
x3



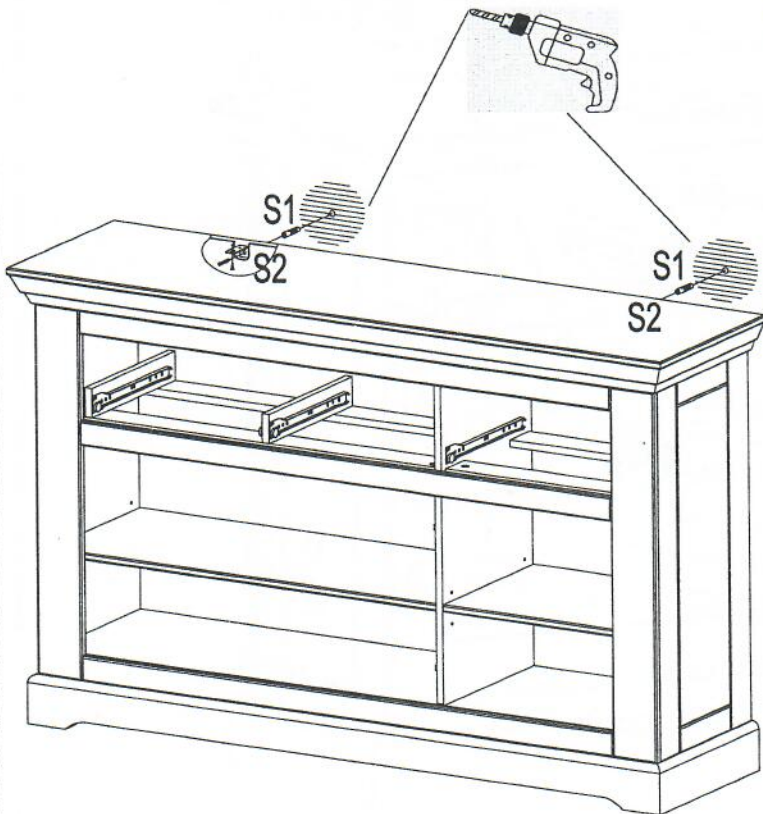
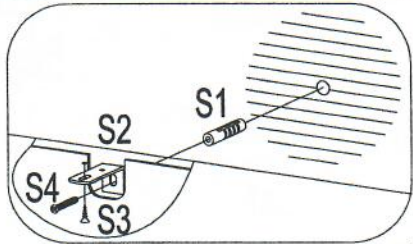
12

S1 090001
8x50
x2

S2 180080
x2

S3 250012
3.5x15
x2

S4 250069
5x50
x2



13

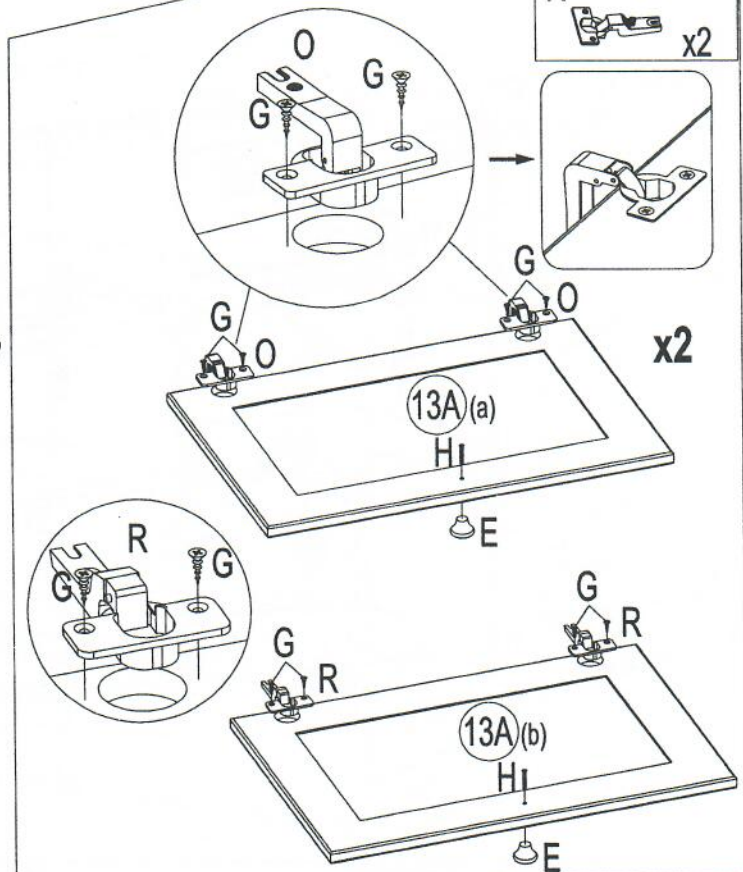
E 210057
x3

G 250012
3.5x15
x12

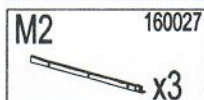
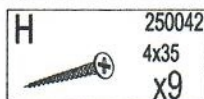
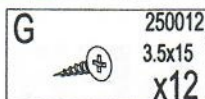
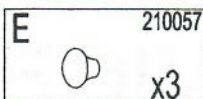
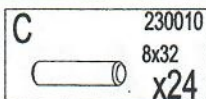
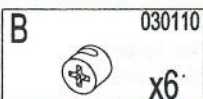
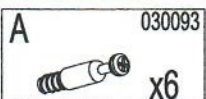
H 250042
4x35
x3

O 180056
x4

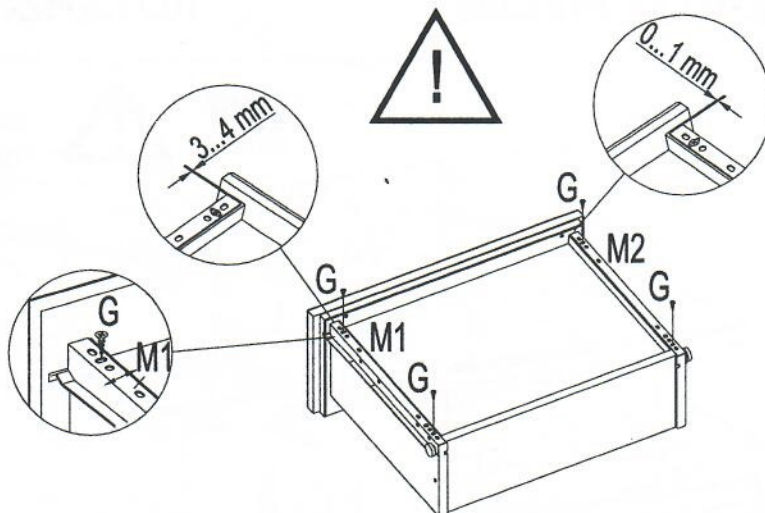
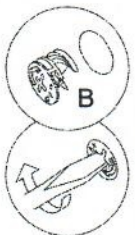
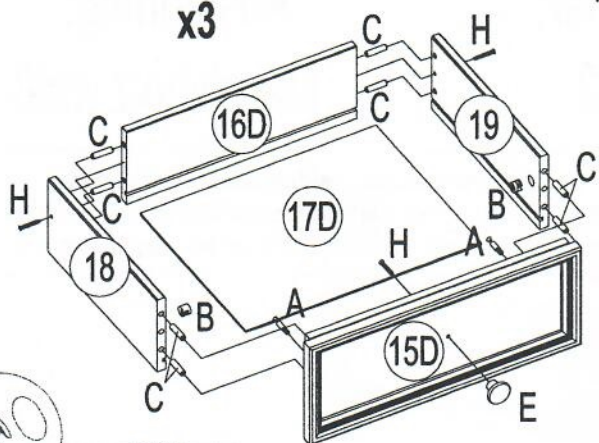
R 180061
x2



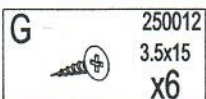
14



x3



15



Prowadnicę szuflady można regulować i ponownie ustawiać w zależności od potrzeb, poluzowując i dokręcając śrubę w otworze.

