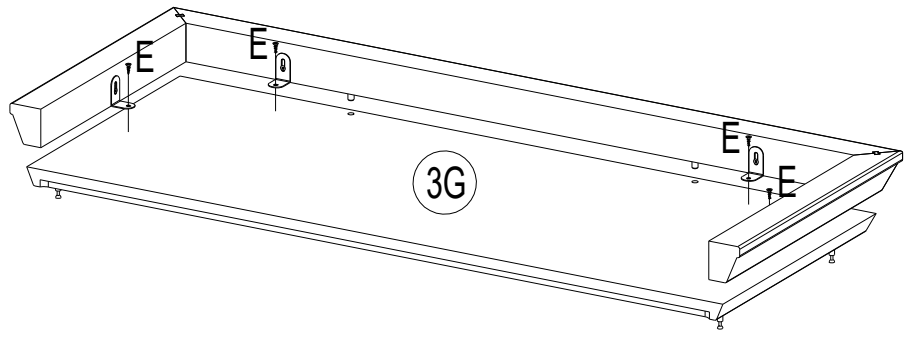


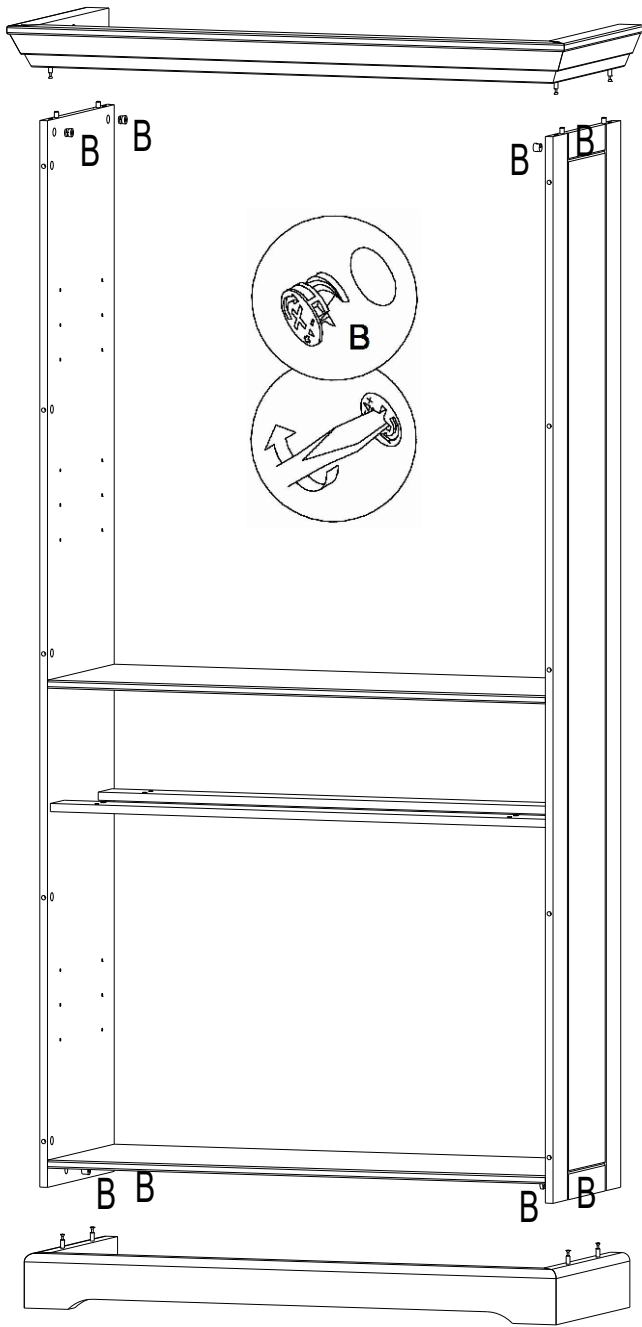
6

E 3.5x15
x4



7

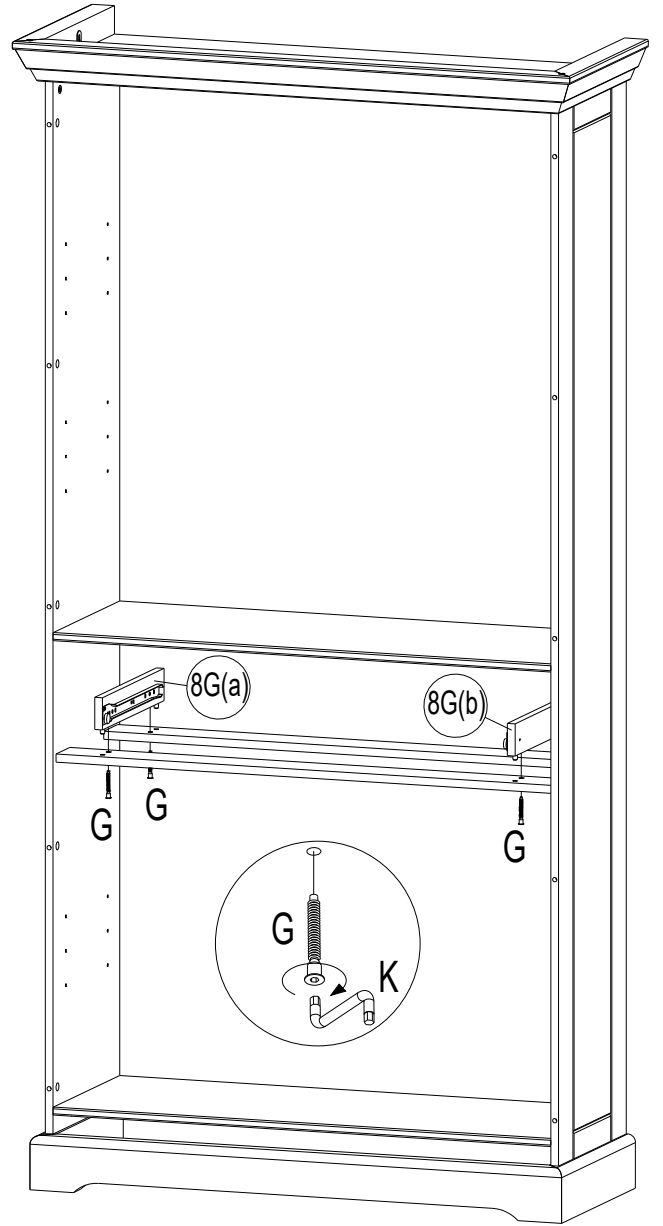
B x8



8

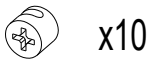
G x4

K SW4 x1

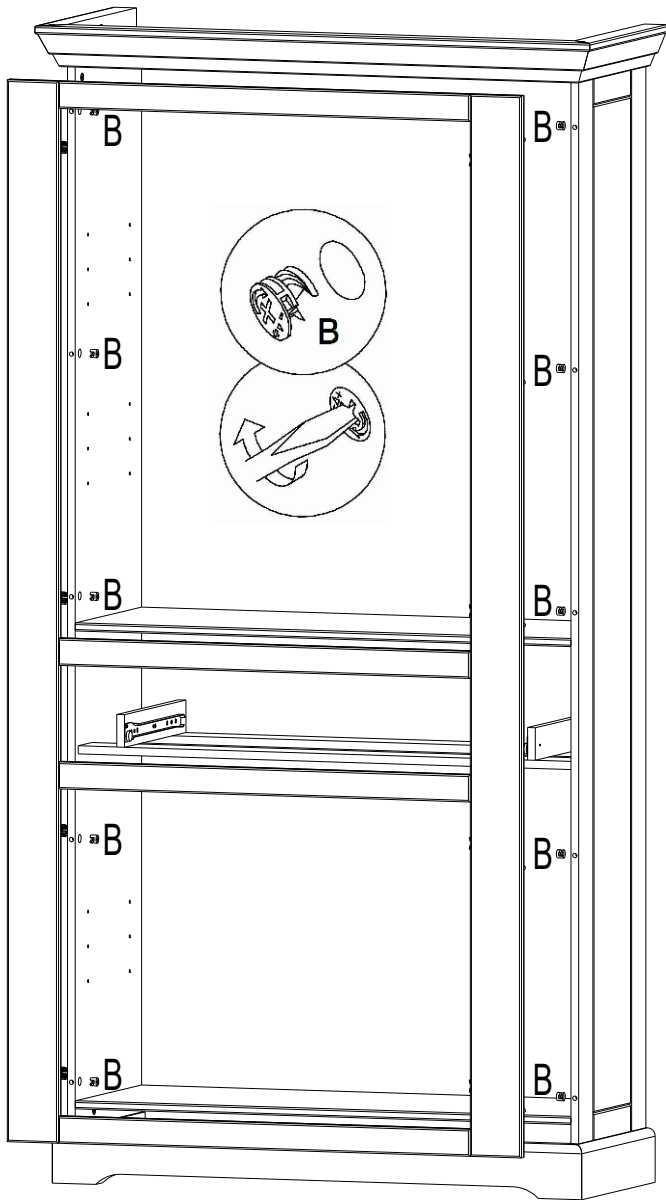


9

B



x10



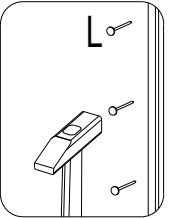
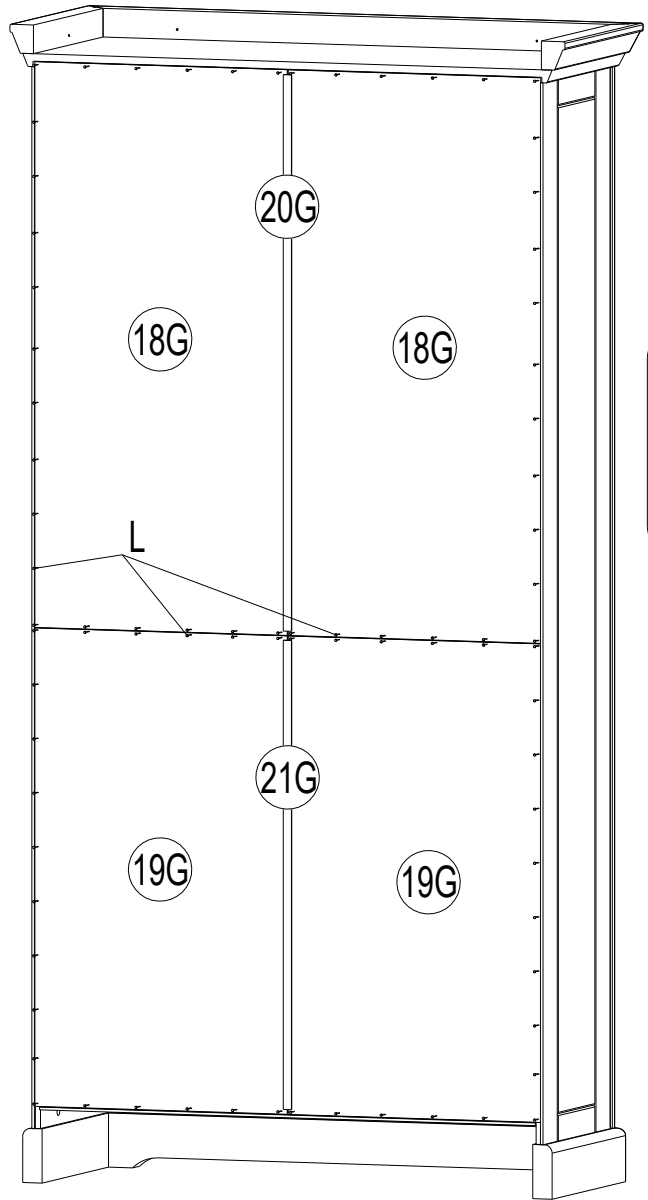
10

L

1.2x20

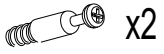


x50



11

A



x2

B



x2

C



x8

E

3.5x15



x4

F

3.5x35



x4

O



x2

T1

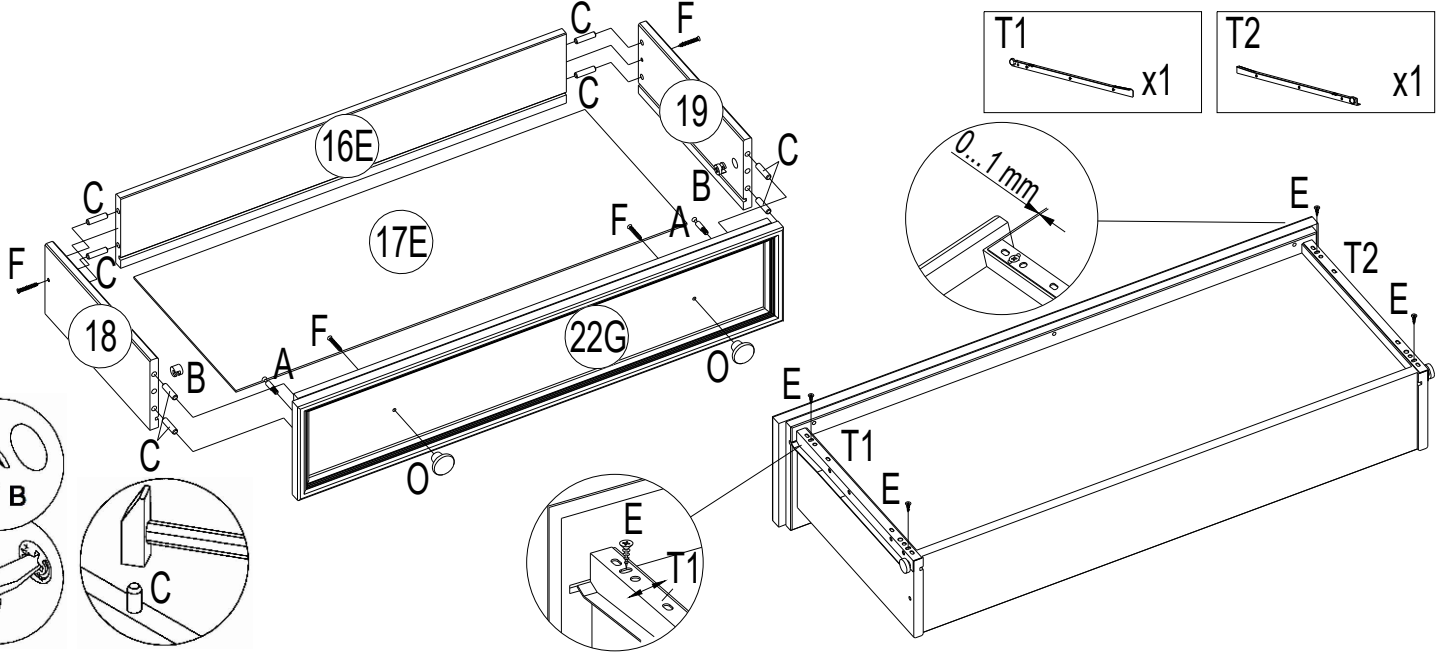


x1

T2



x1



6-7

