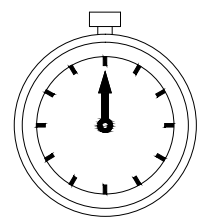
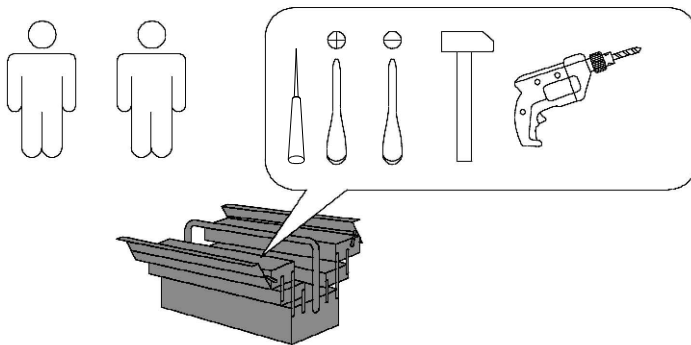






MARONE - 2SMAR26



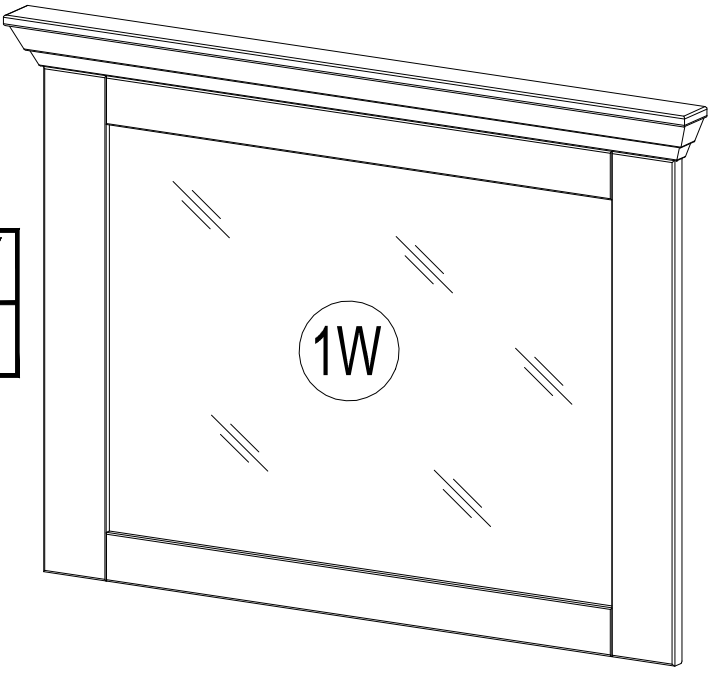
30 min



1-2

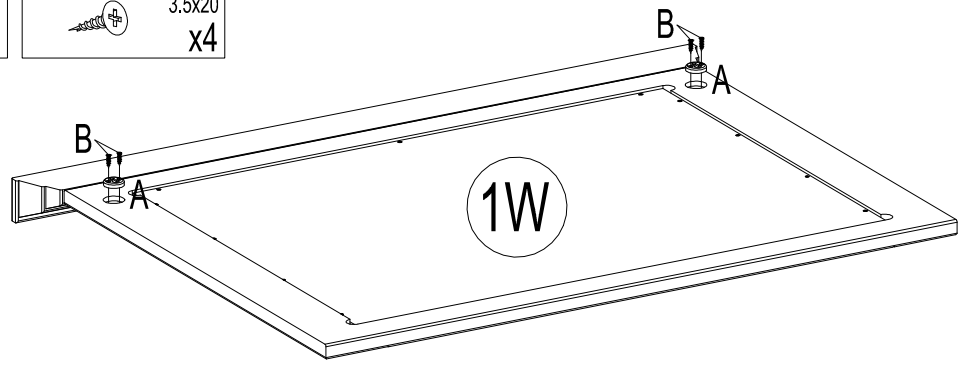
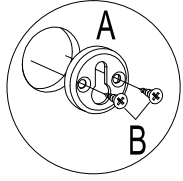
0
10
20
30
40
50
60
70
80
90
100
110
120
130
140
150
160
170
180
190
200



A	 150003 x2	B	 250016 3.5x20 x4
C	 250069 5x50 x2	D	 090004 x2

No	Size/MaB (mm)	Qty	✓
1W	1086x800x62	1	



1	A	 150003 x2	B	 250016 3.5x20 x4
----------	----------	--	----------	--



2	C	 250069 5x50 x2	D	 090004 x2
----------	----------	--	----------	--

