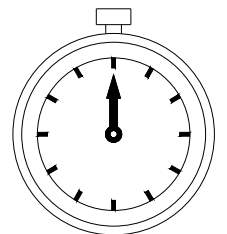
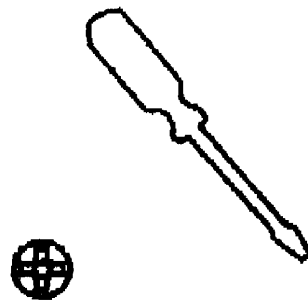
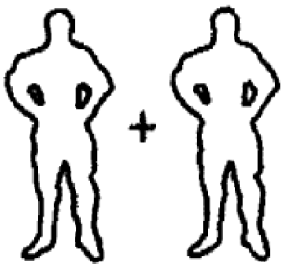
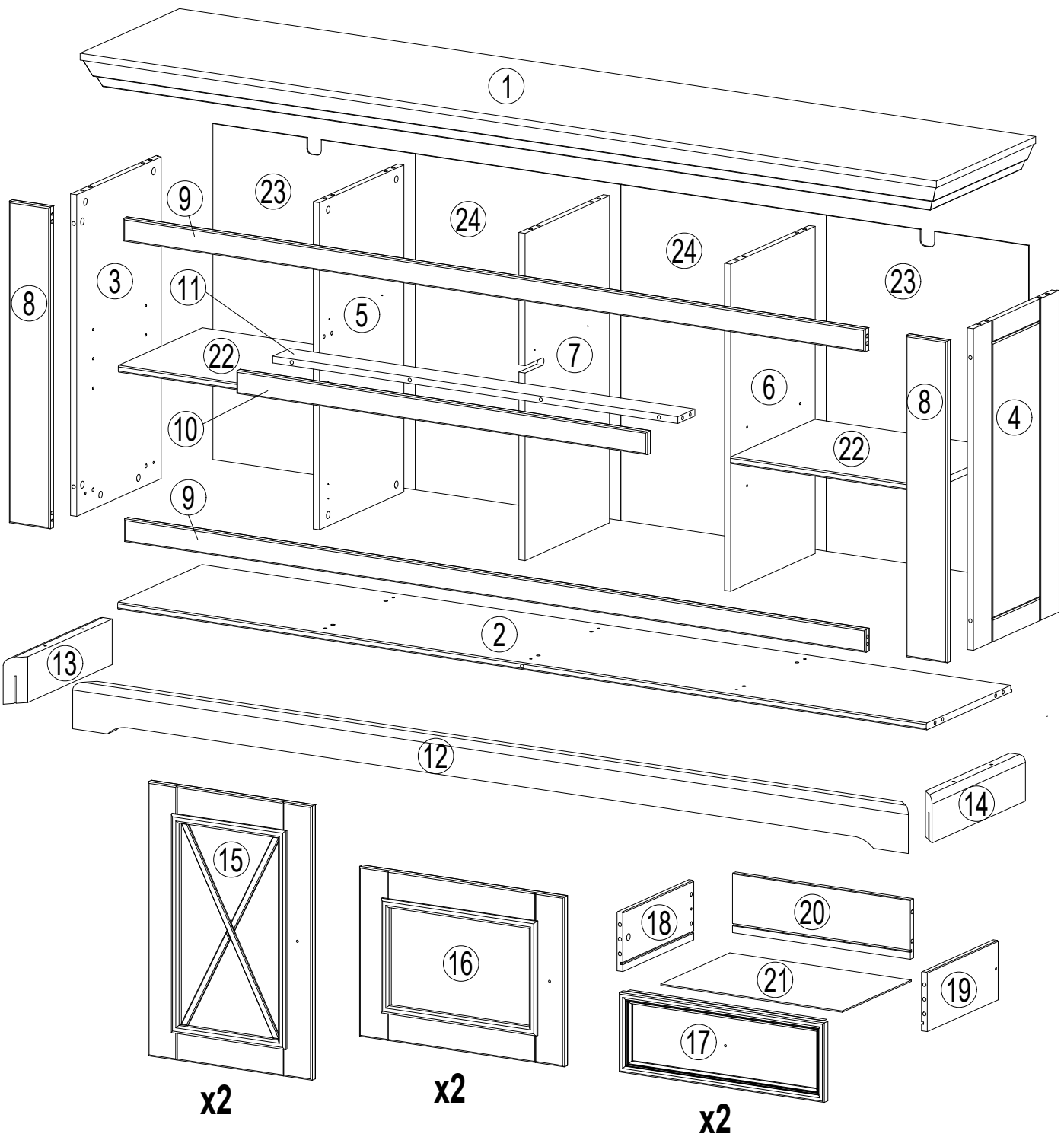
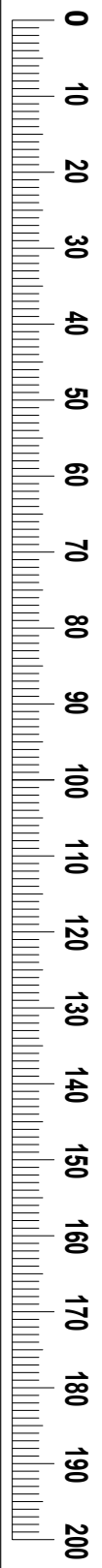
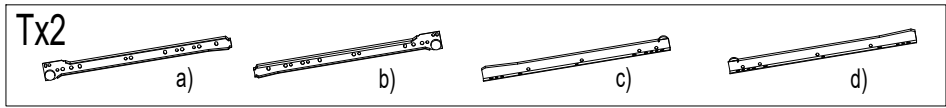
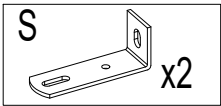
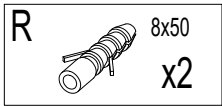
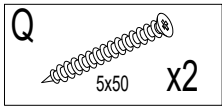
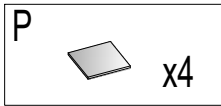
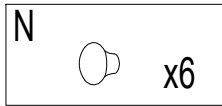
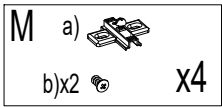
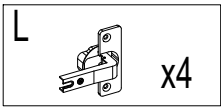
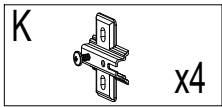
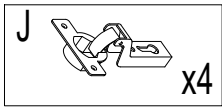
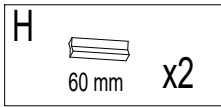
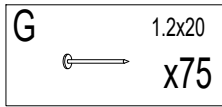
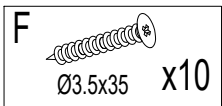
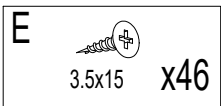
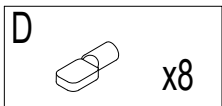
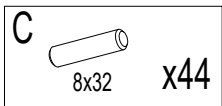
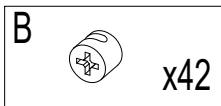
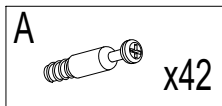


MARONE - 2SMAR05



70 min

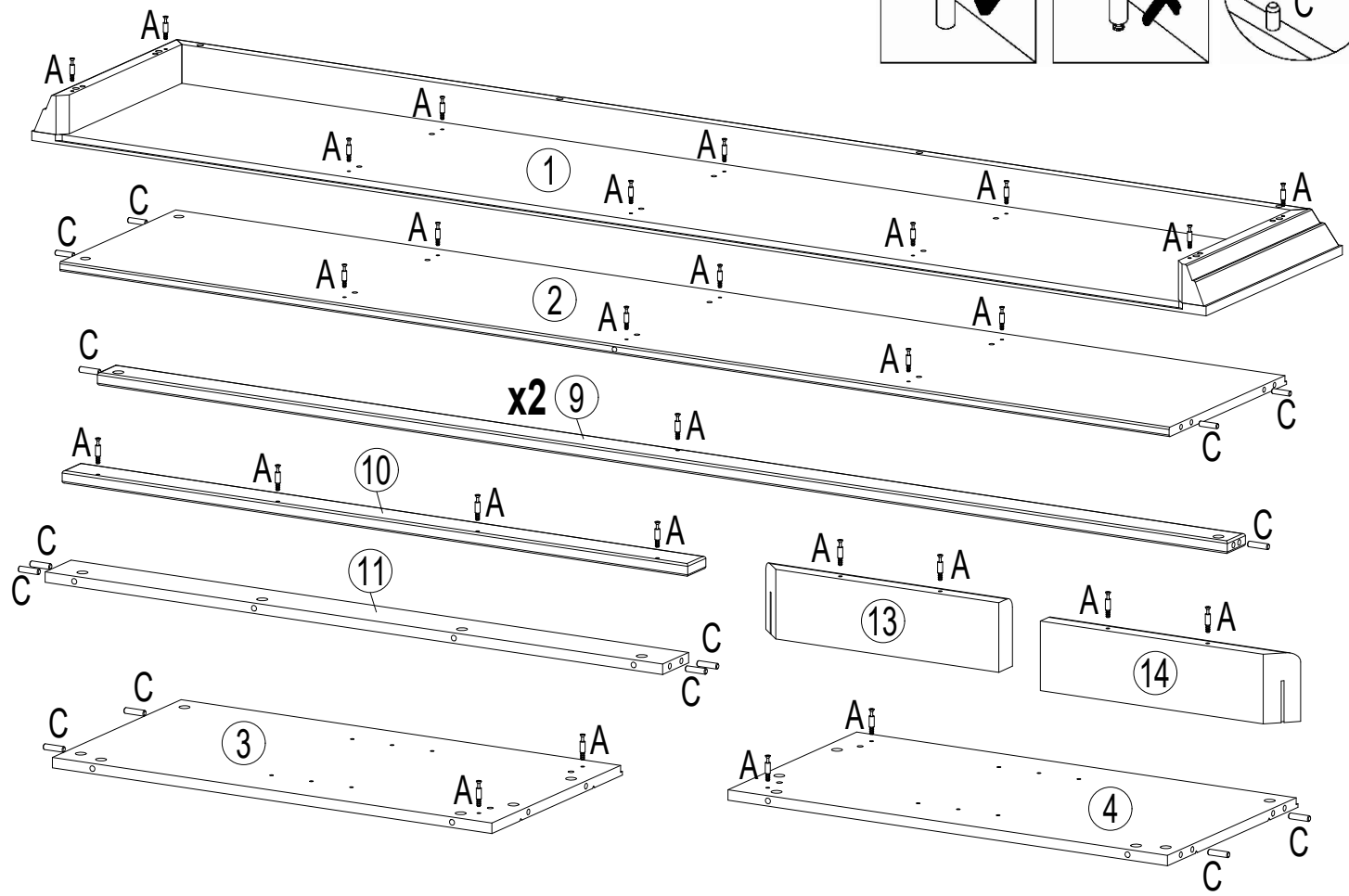
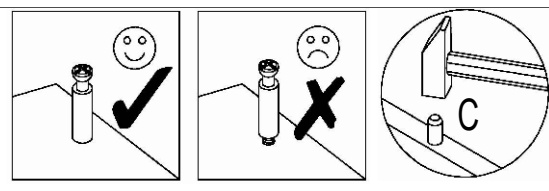


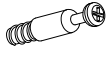
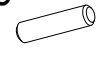
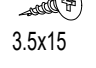
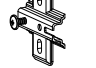


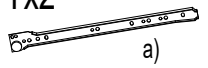
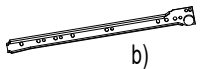
x2

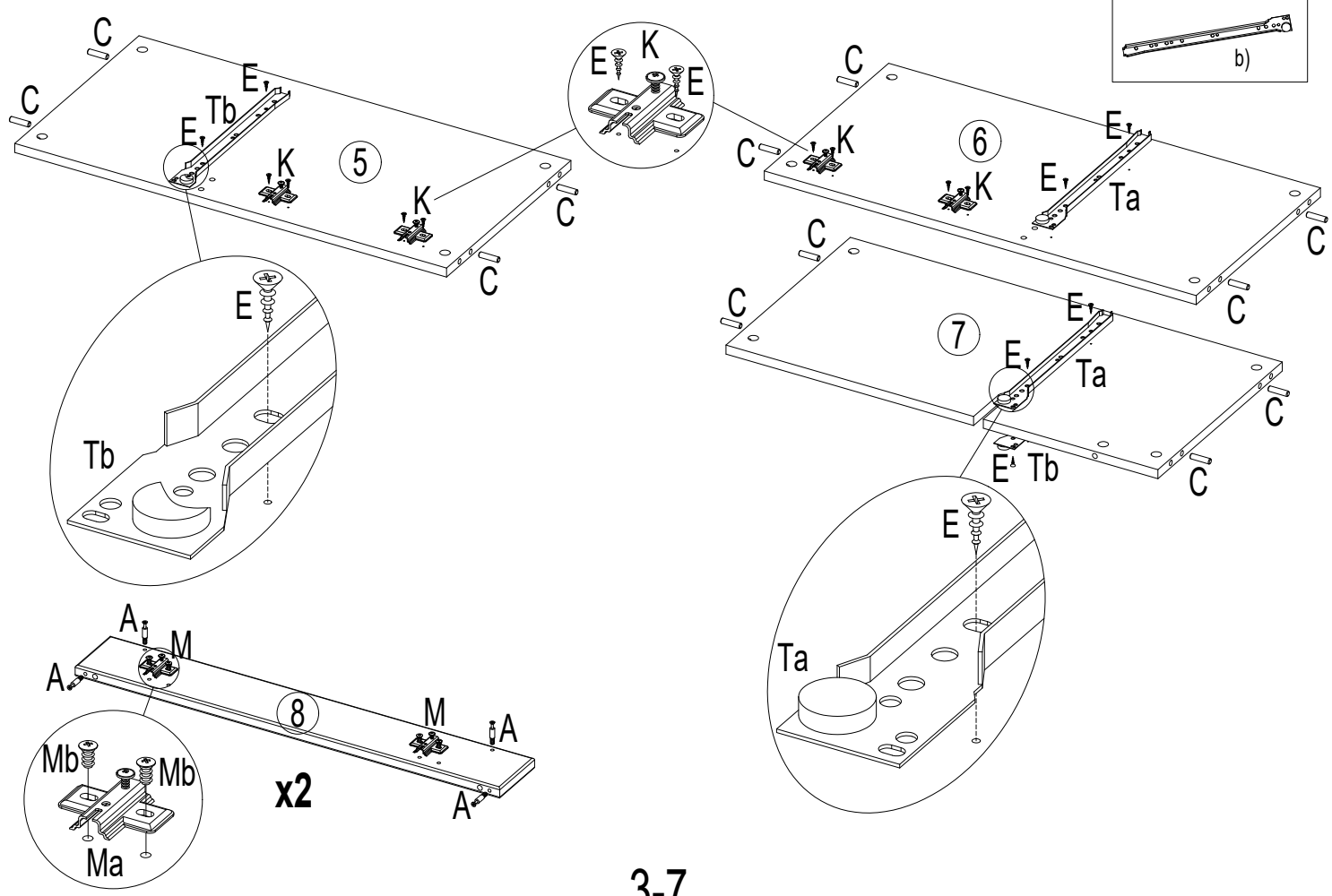
x2

x2

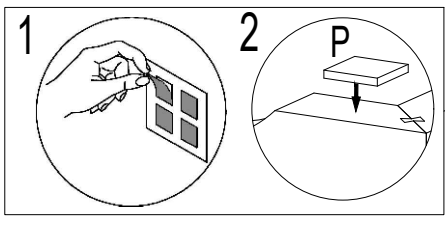
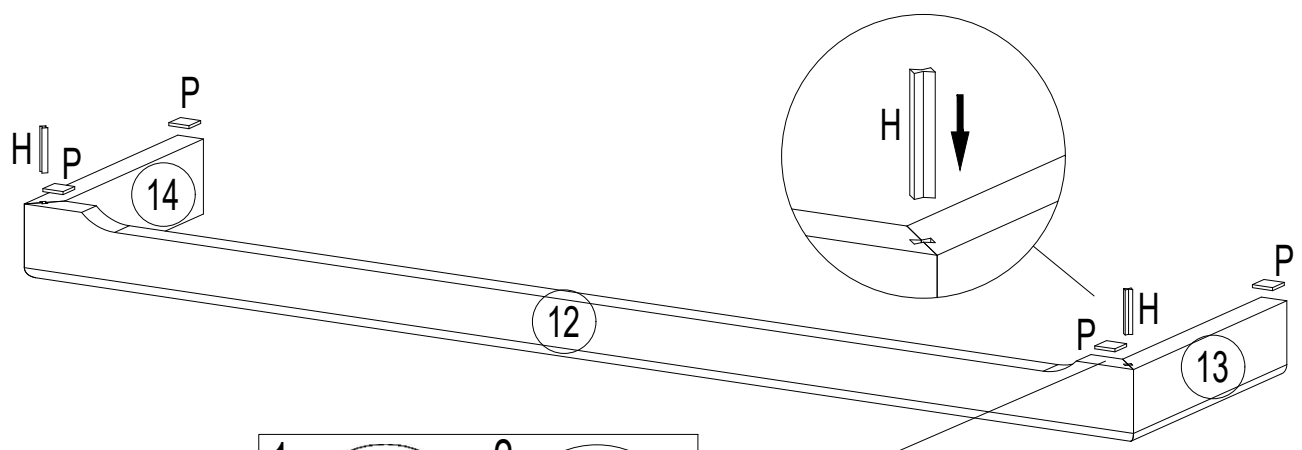
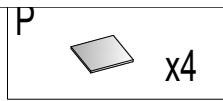
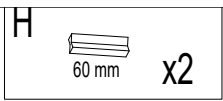
- 1 A  x30
- C  8x32 x16



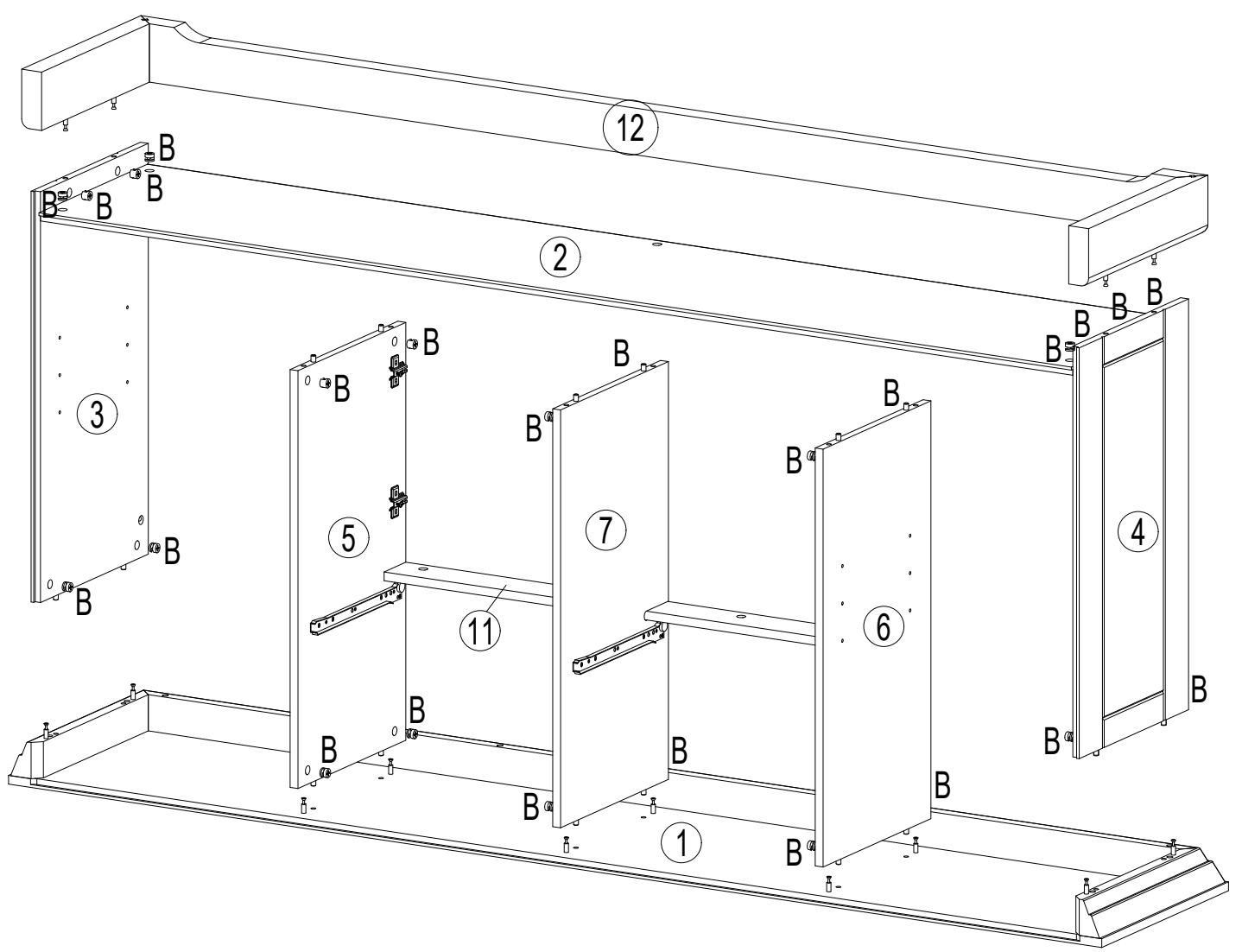
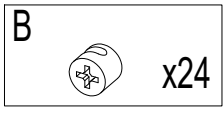
- 2 A  x8
- C  8x32 x12
- E  3.5x15 x16
- K  x4
- M a)  x4
- b)  x4
- Tx2  a)
-  b)



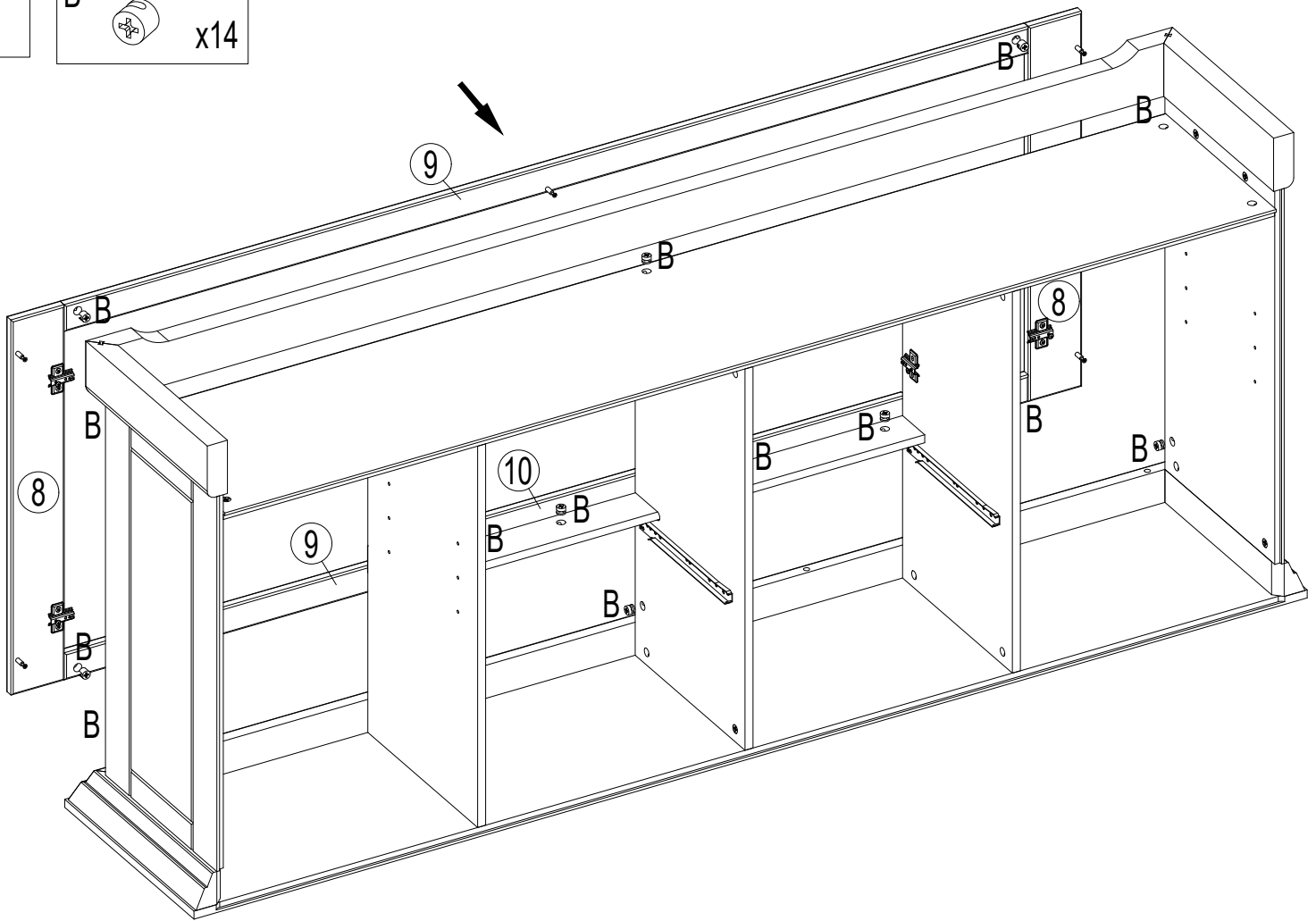
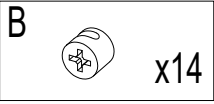
3



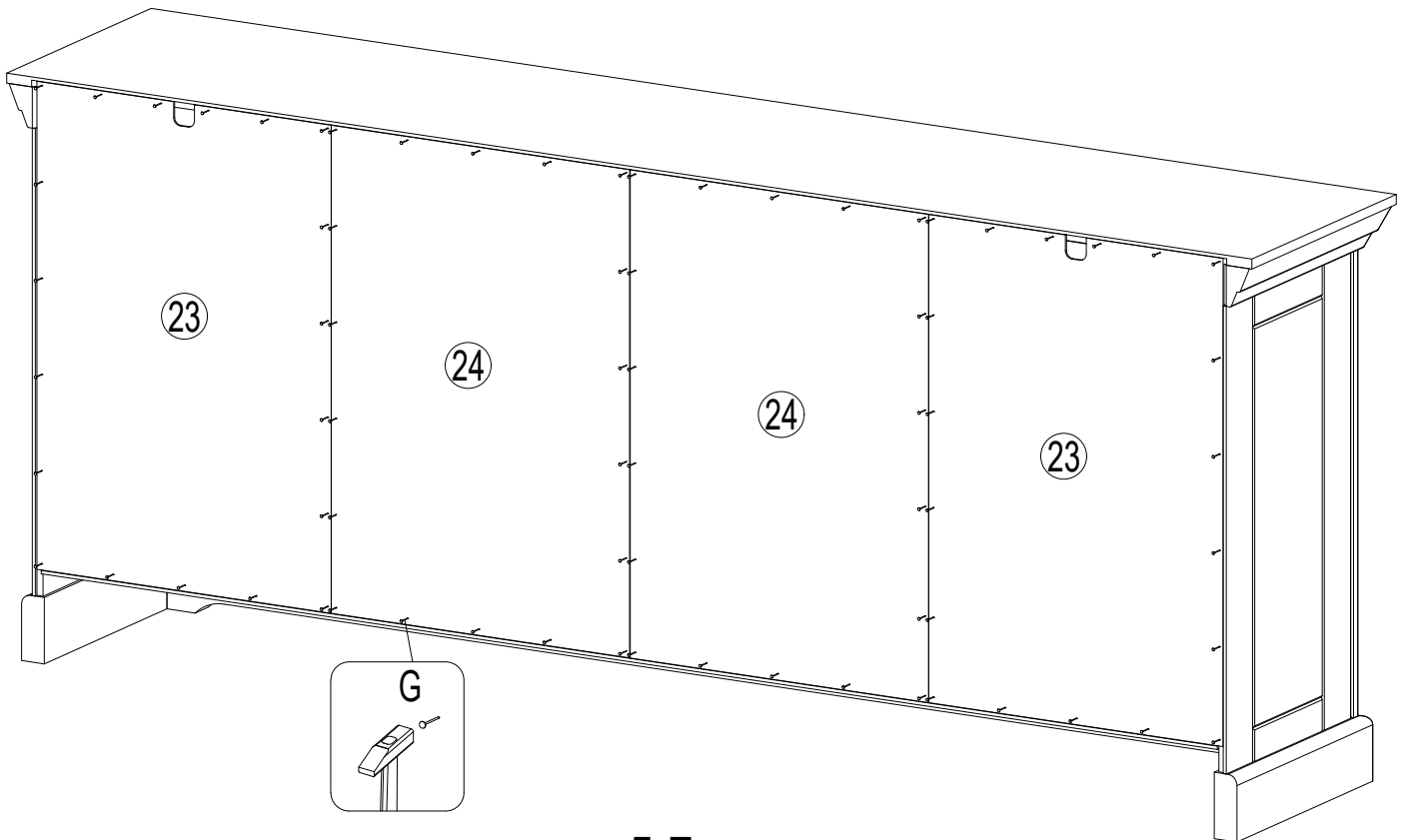
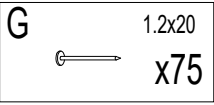
4



5



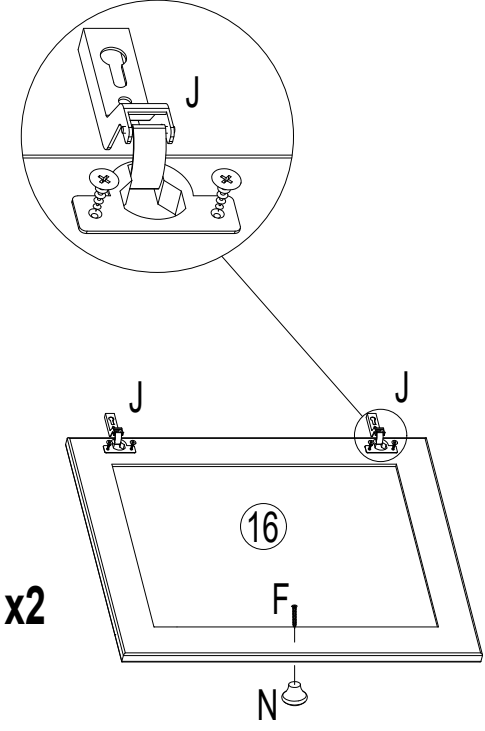
6



5-7

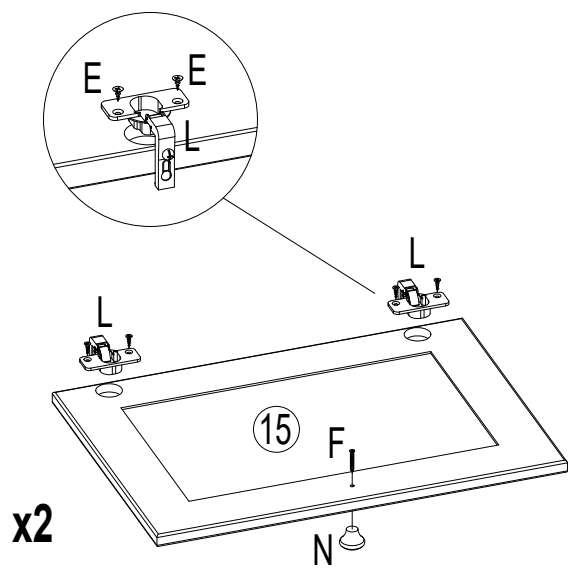
- | | | | |
|----------|-----------------------|------------------------|----------------|
| 7 | E
3.5x15 x8 | F
Ø3.5x35 x2 | J
x4 |
|----------|-----------------------|------------------------|----------------|

- | |
|----------------|
| N
x2 |
|----------------|



- | | | | |
|----------|-----------------------|------------------------|----------------|
| 8 | E
3.5x15 x8 | F
Ø3.5x35 x2 | L
x4 |
|----------|-----------------------|------------------------|----------------|

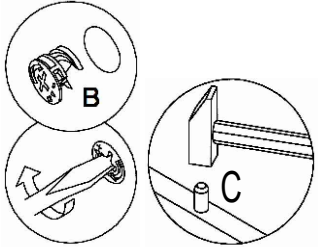
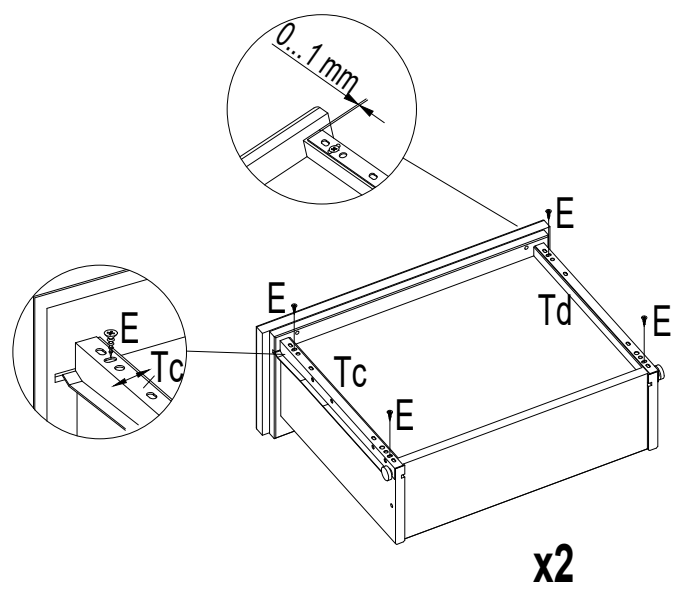
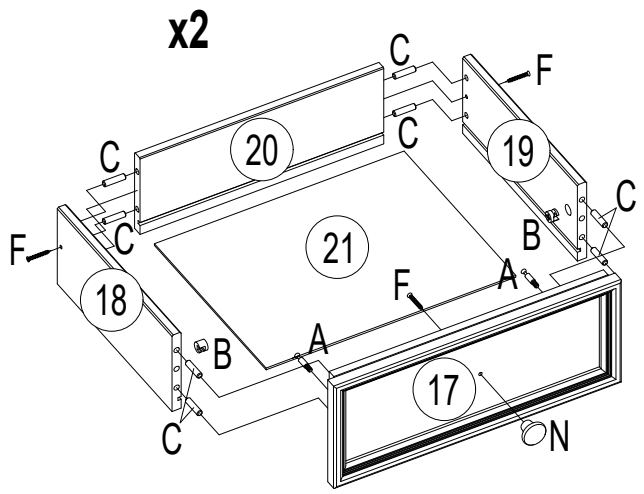
- | |
|----------------|
| N
x2 |
|----------------|



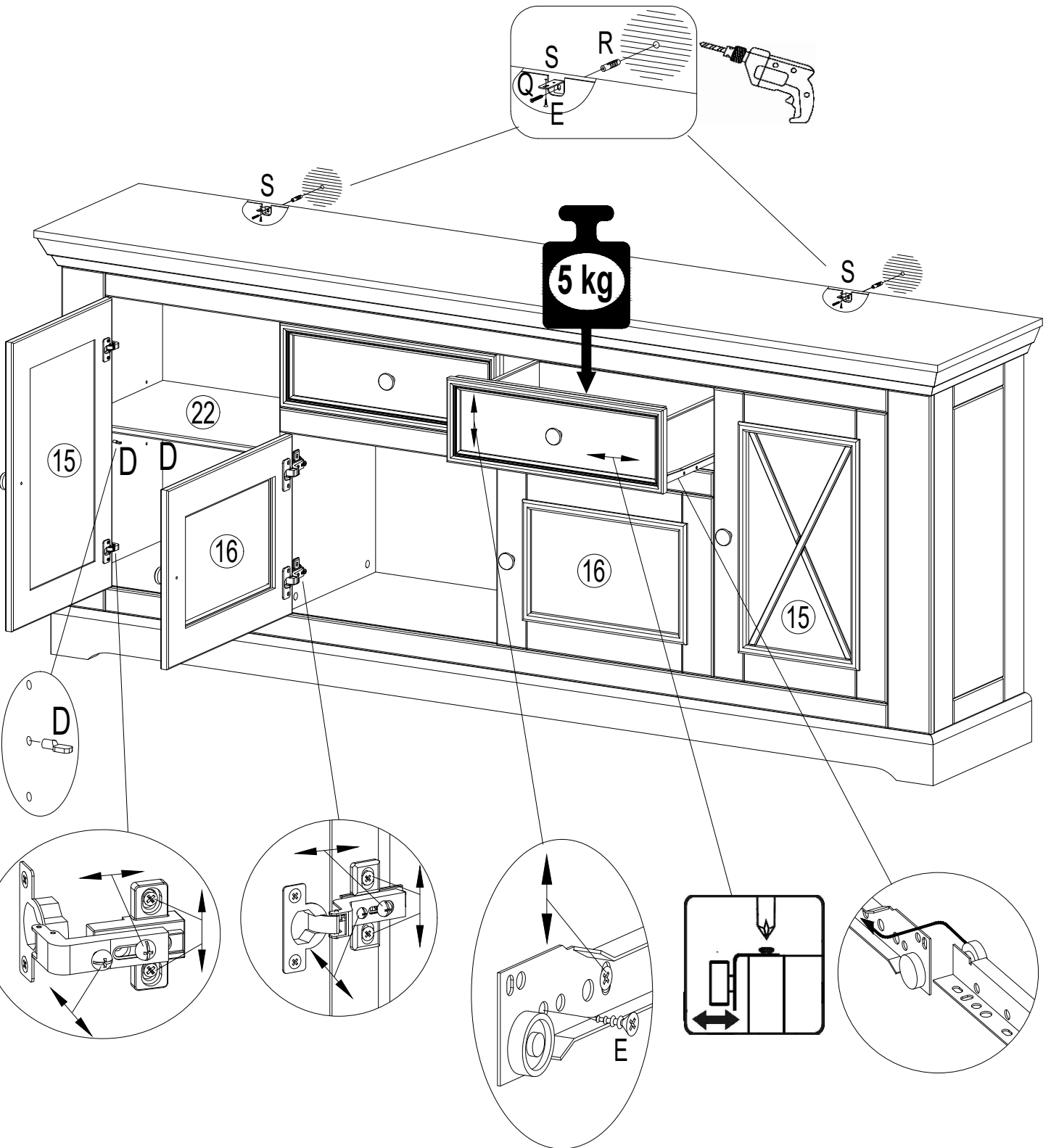
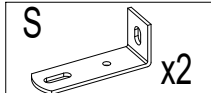
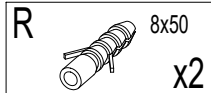
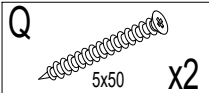
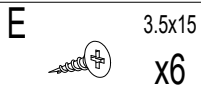
- | | | | |
|----------|----------------|----------------|----------------------|
| 9 | A
x4 | B
x4 | C
8x32 x16 |
|----------|----------------|----------------|----------------------|

- | | | |
|-----------------------|-----------------------|----------------|
| E
3.5x15 x8 | F
3.5x35 x6 | N
x2 |
|-----------------------|-----------------------|----------------|

- | |
|---------------------|
| Tx2
c) d) |
|---------------------|



10



"Prowadnicę szuflady można regulować i ponownie ustawić w zależności od potrzeb, poluzowując i dokręcając śrubę w otworze."