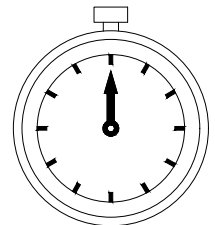
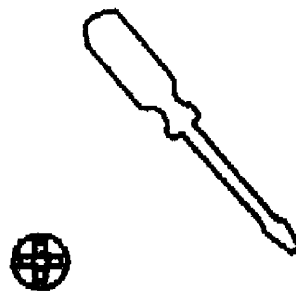
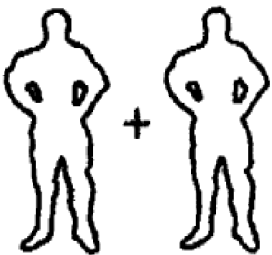
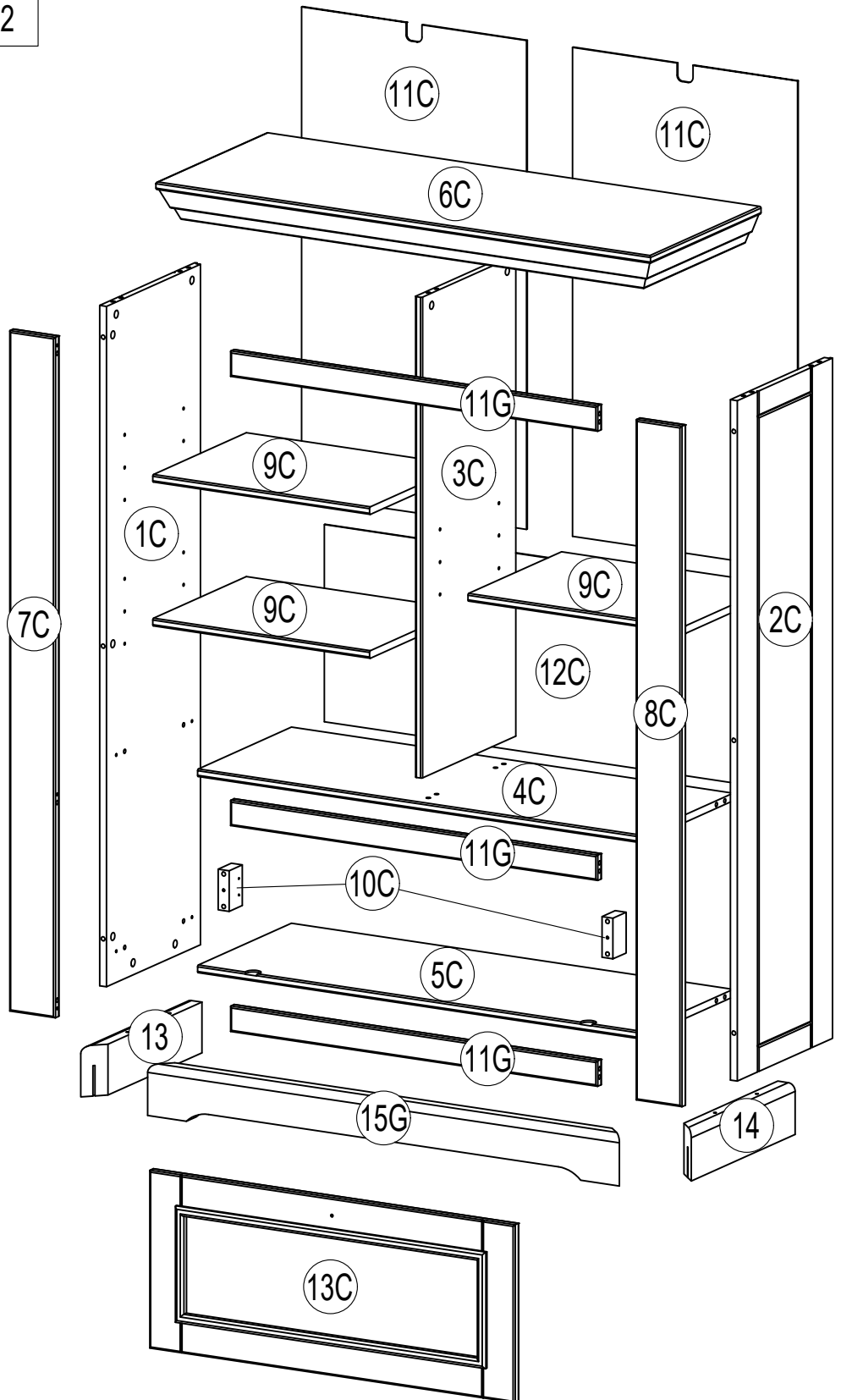
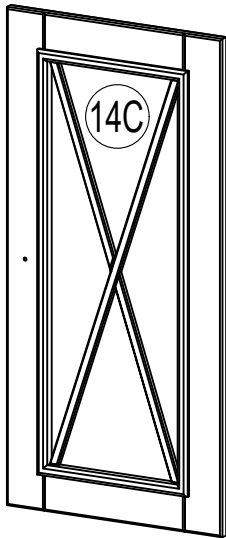
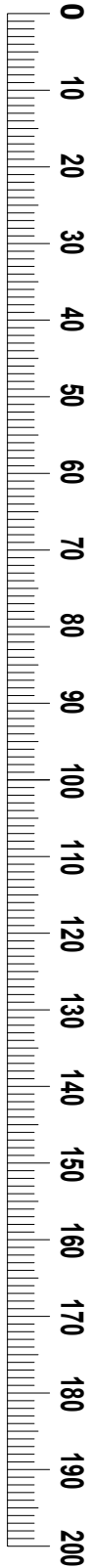
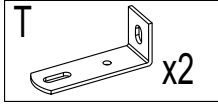
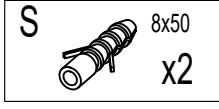
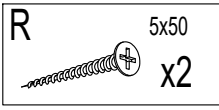
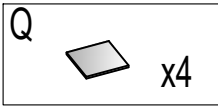
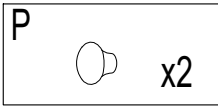
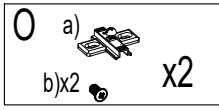
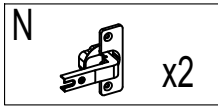
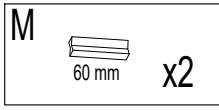
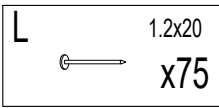
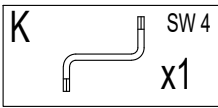
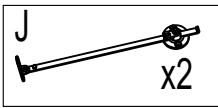
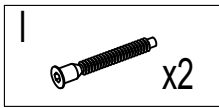
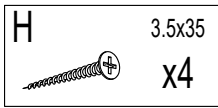
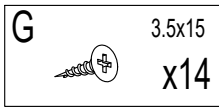
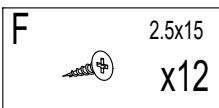
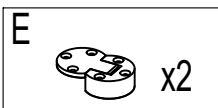
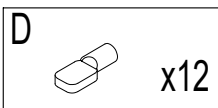
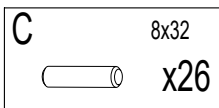
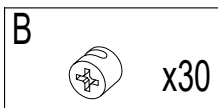
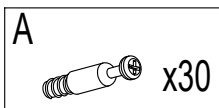
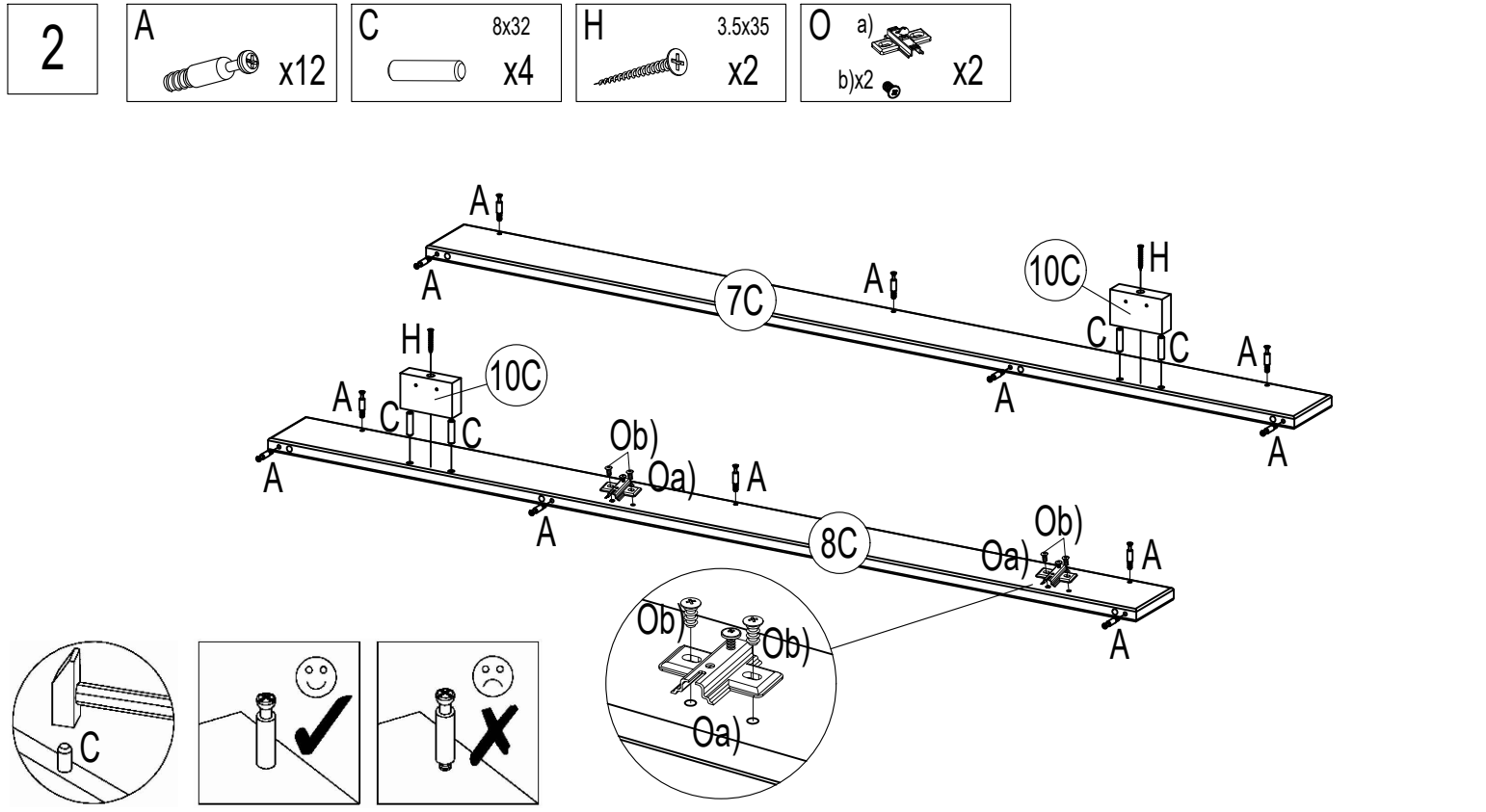
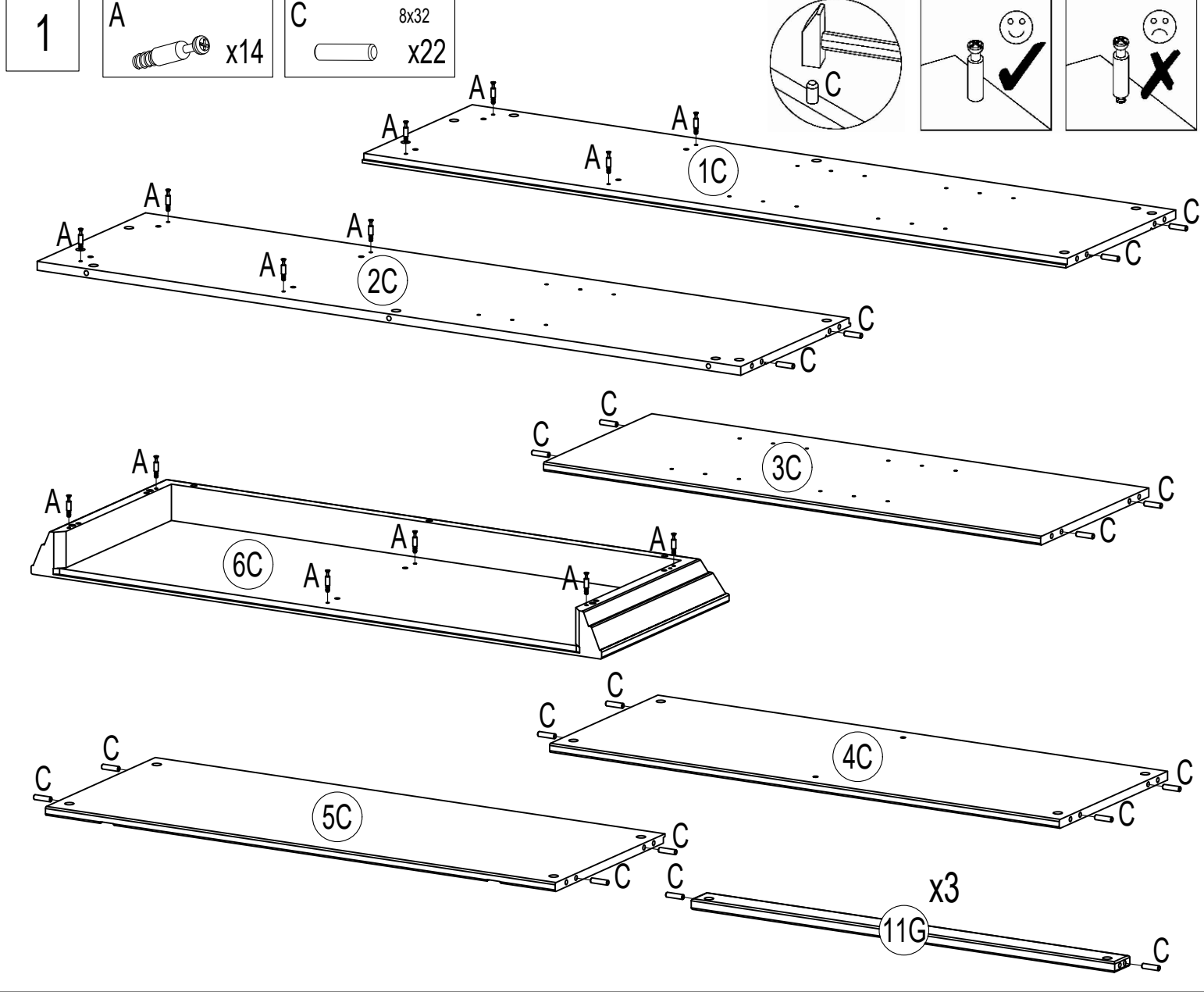


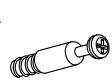

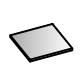
## MARONE - 2SMAR04

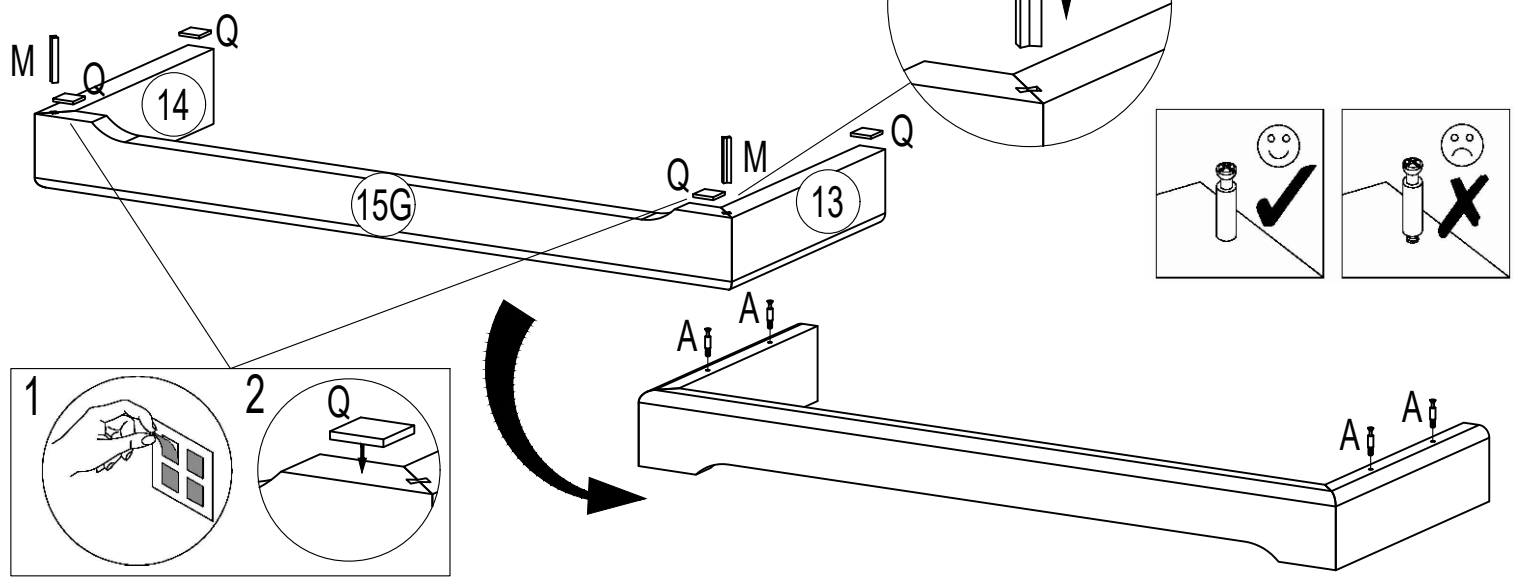



180 min

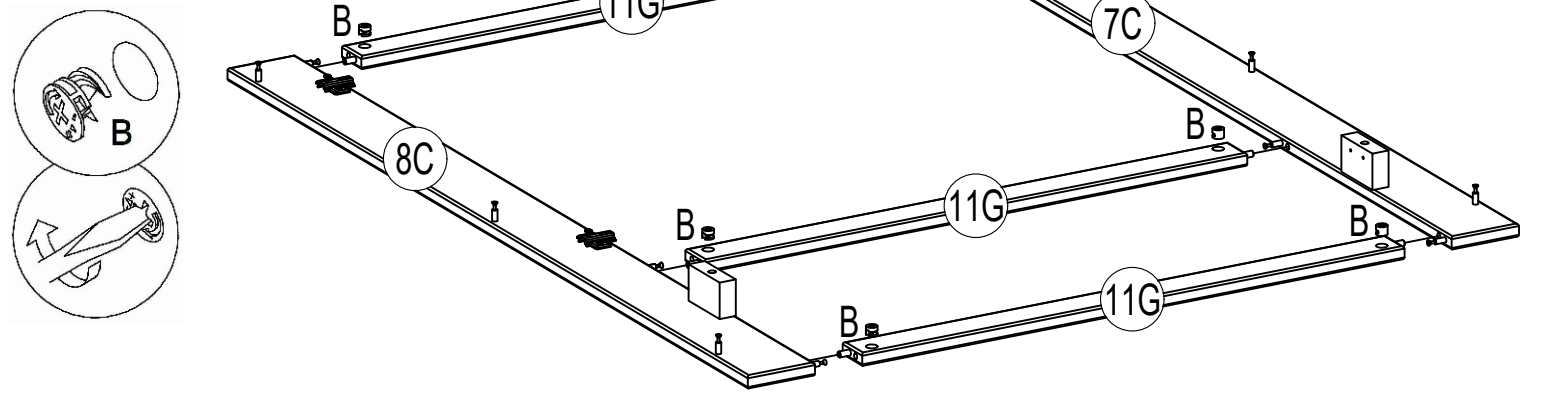





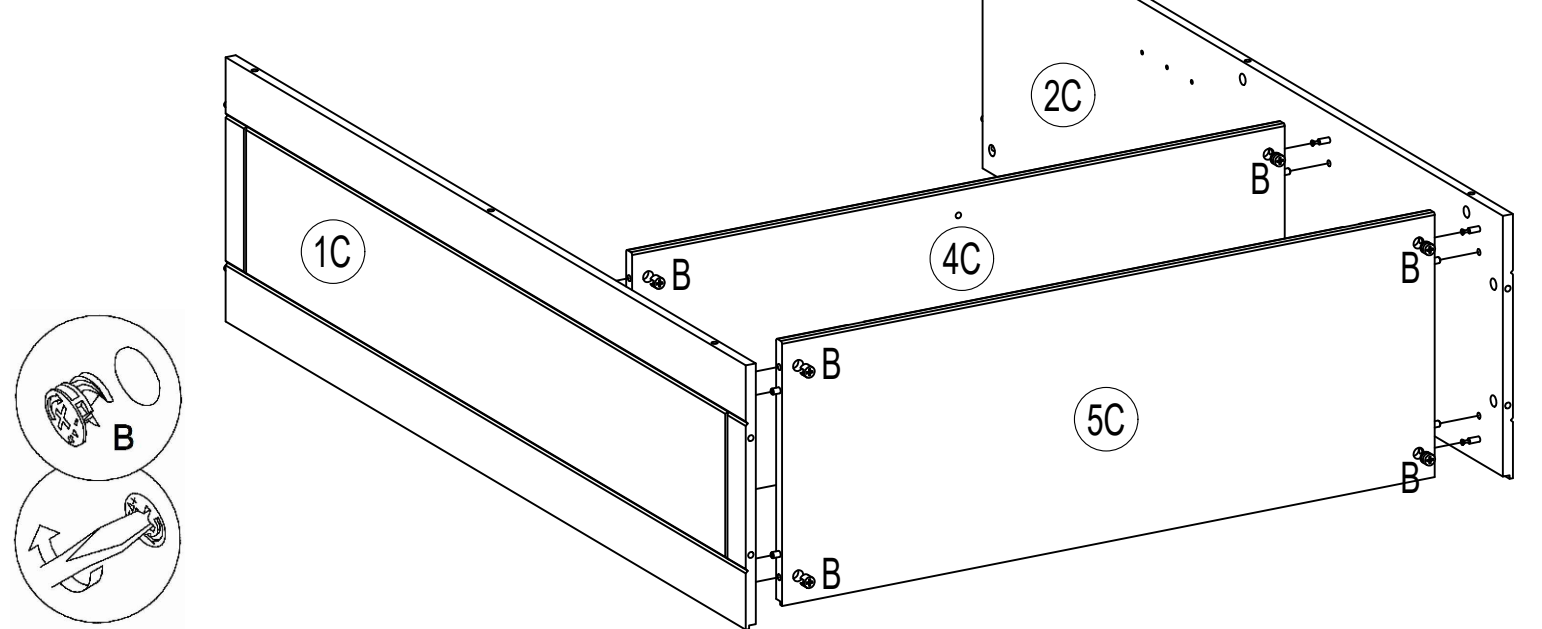
- 3
- A  x4
- M  60 mm x2
- Q  x4



- 4
- B  x6



- 5
- B  x8

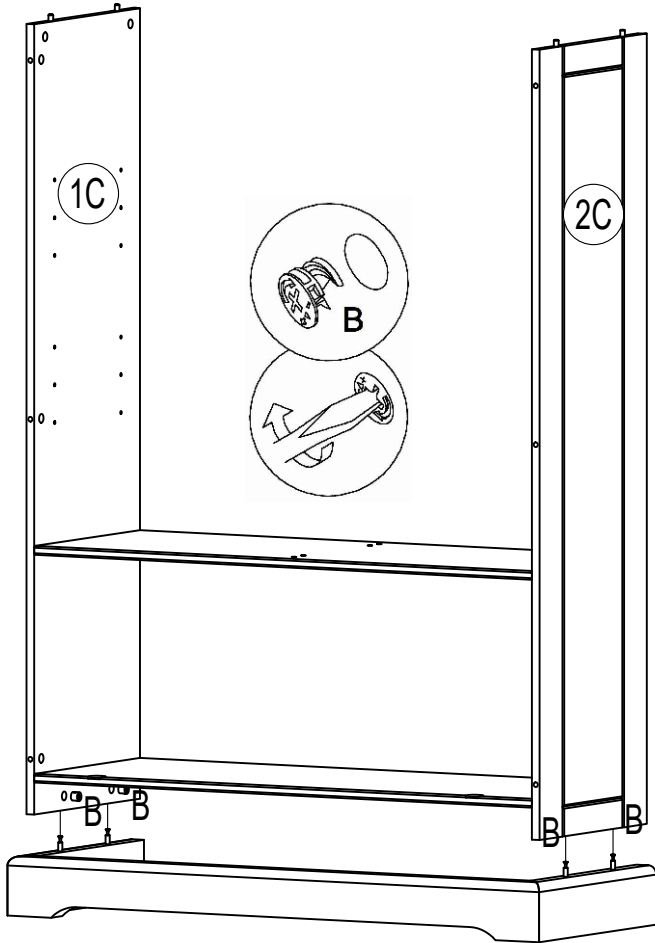


6

B



x4



7

I



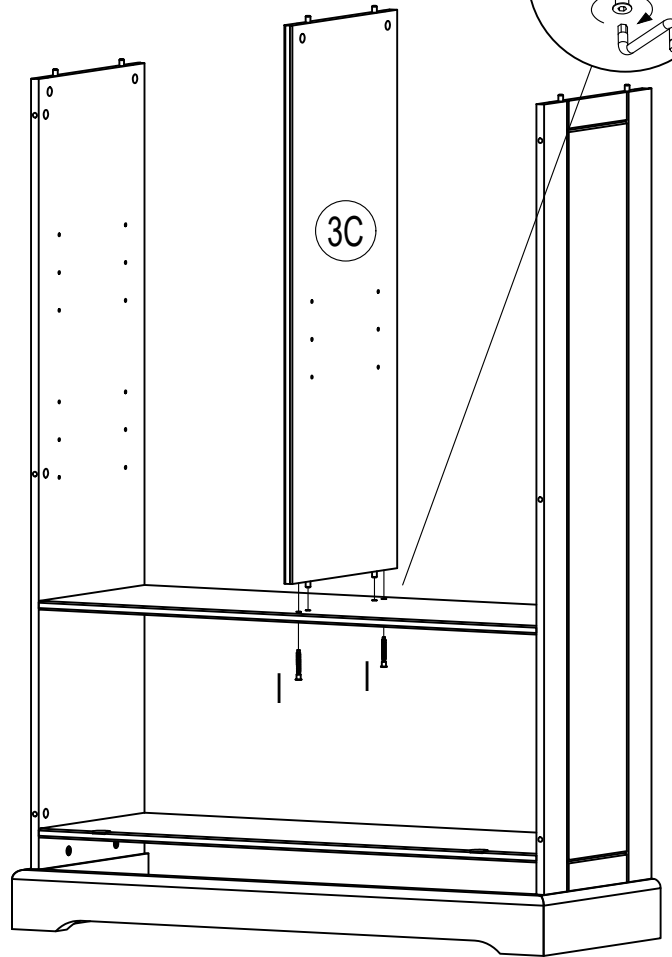
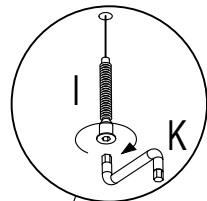
x2

K



SW4

x1

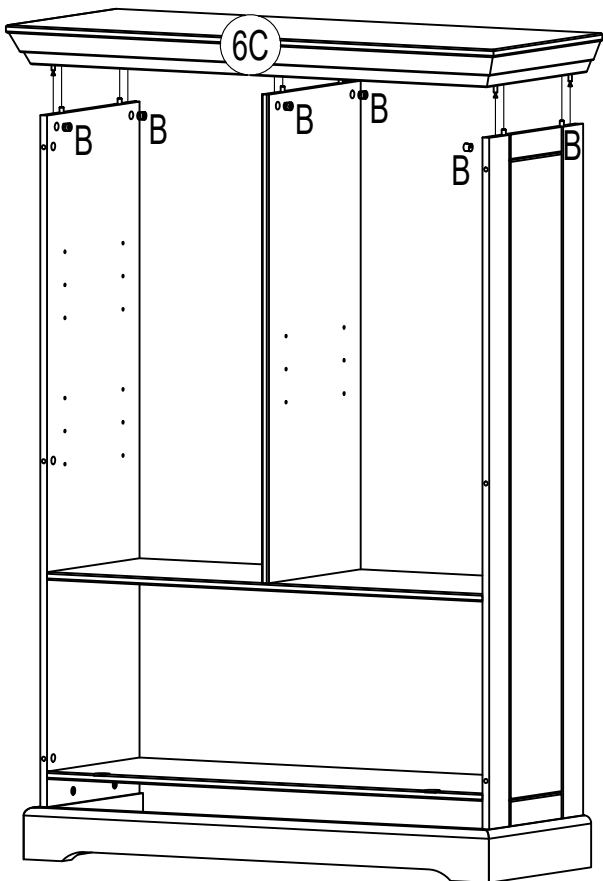


8

B



x6

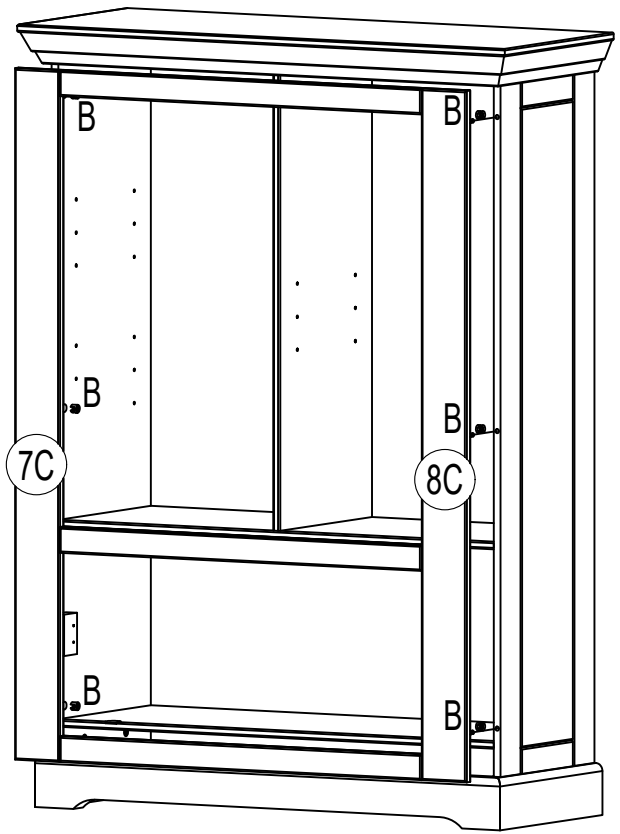


9

B

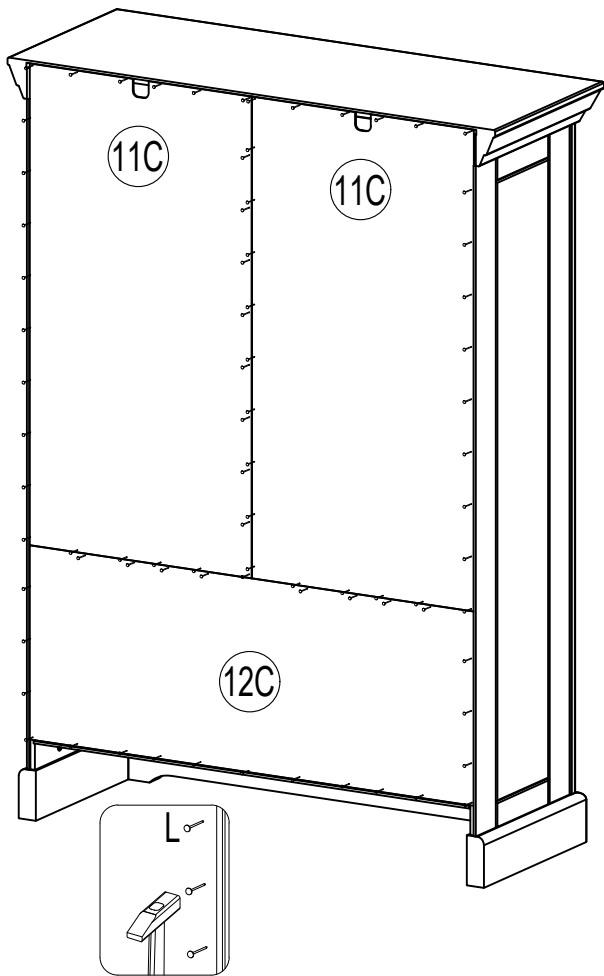


x6

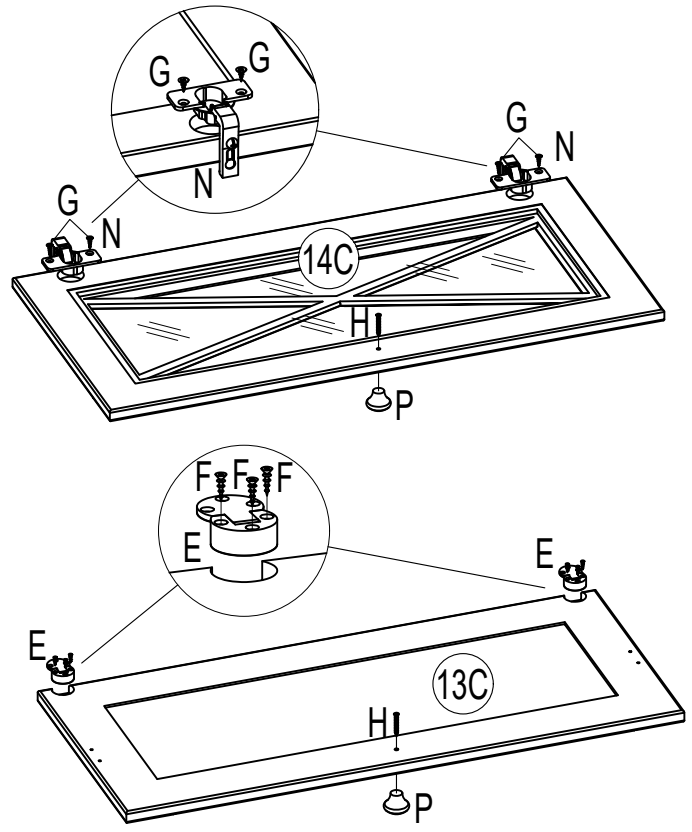


5

- 10 L 1.2x20 x75

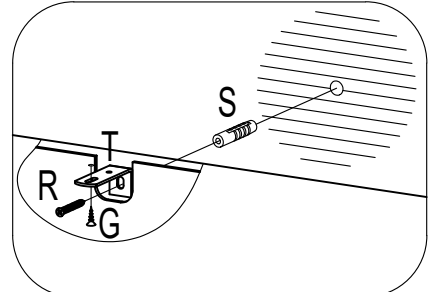
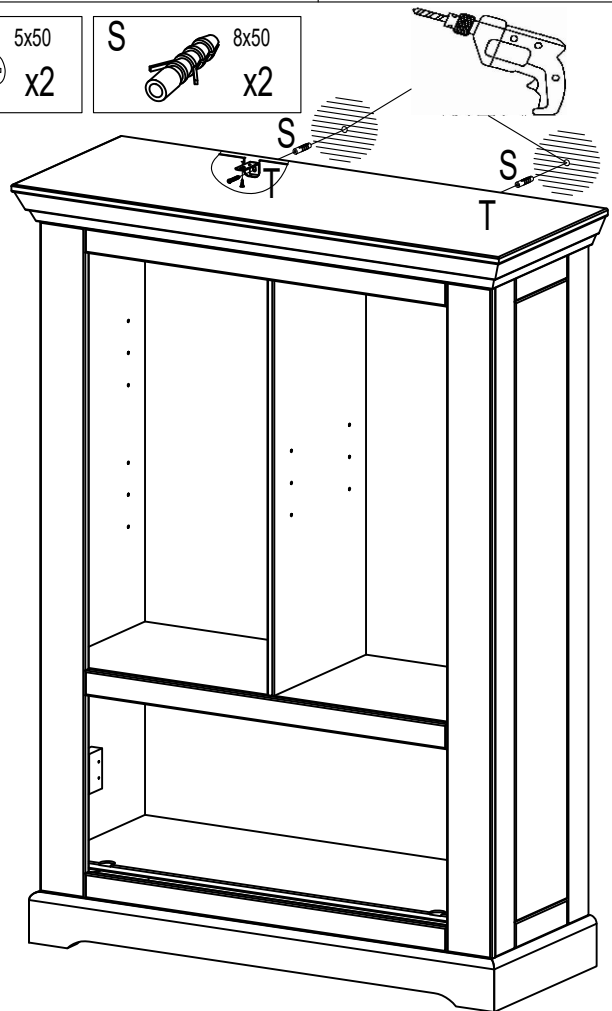


- 11 E x2 F 2.5x15 x12 G 3.5x15 x4  
 H 3.5x35 x2 N x2 P x2



- 12 G 3.5x15 x2 T x2

- R 5x50 x2 S 8x50 x2

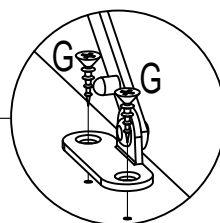
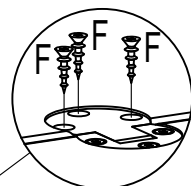
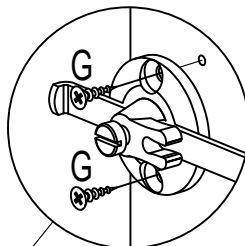
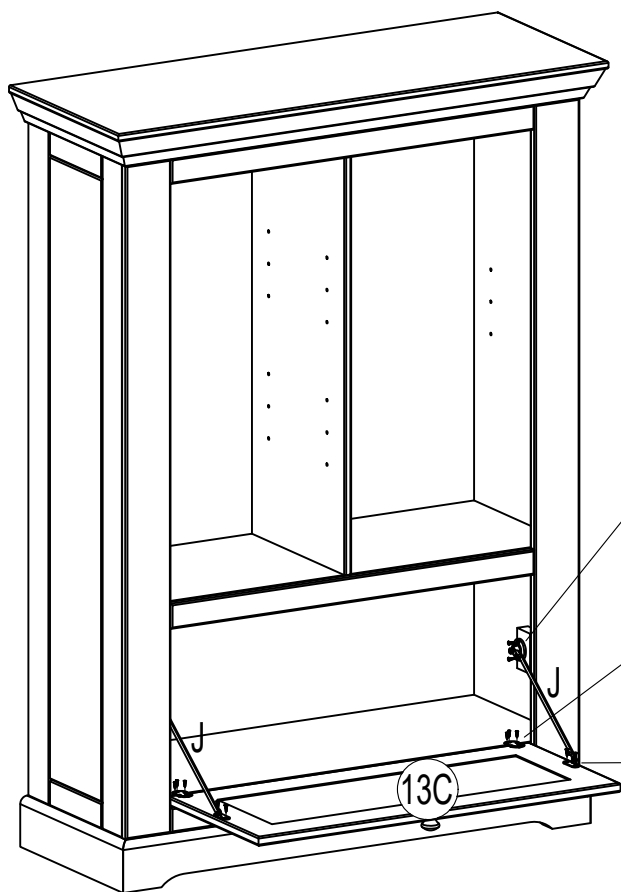


13

F 2.5x15  
x6

G 3.5x15  
x8

J x2



14

D x12

